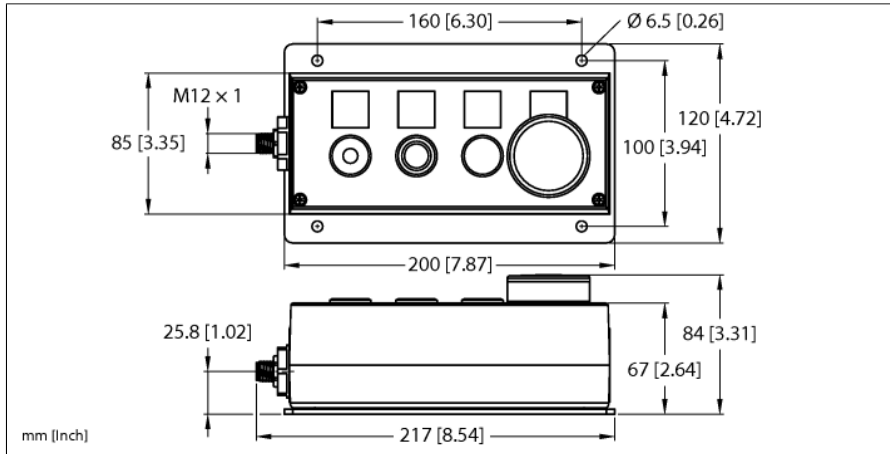


Ford Conveyor Box for Connection to IO-Link Master

1 Lamp, 1 Button with Lamp, 1 Contact Sensor with Lamp

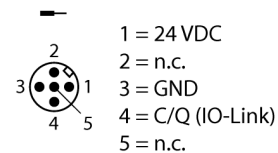
OPIL-E4-IO2-FE01



Type	OPIL-E4-IO2-FE01
ID	100029326
Supply	
Supply voltage	24 VDC
Admissible range	18...30 VDC
Operating current	Max. 300 mA
IO-Link	
Connectivity IO-Link	1 × M12
IO-Link specification	V 1.1
IO-Link port type	Class A
Frame type	Supports all
Transmission rate	COM 2 / 38.4 kbps
Standard/Directive conformity	
Electromagnetic compatibility	Acc. to EN 61131-2:2007
General Information	
Ambient temperature	-40...+70 °C
Storage temperature	-40...+85 °C
Protection class	IP54

- Rugged housing
- Label language: German
- 1 × red status lamp
- 1 × illuminated push button, blue light-up ring
- 1 × illuminated (white) touch button

M12 × 1 IO-Link



I/O allocation to FIL20-8DXP

			Process data
Start Inicio Start		Output I/O ₇	Byte.bit offset 0.7
		Input I/O ₆	Byte.bit offset 0.6
Reset Reiniciar Reset		Output I/O ₅	Byte.bit offset 0.5
		Input I/O ₄	Byte.bit offset 0.4
Emergency off Parada de Emergencia Emergency-stop		Output I/O ₁	Byte.bit offset 0.1