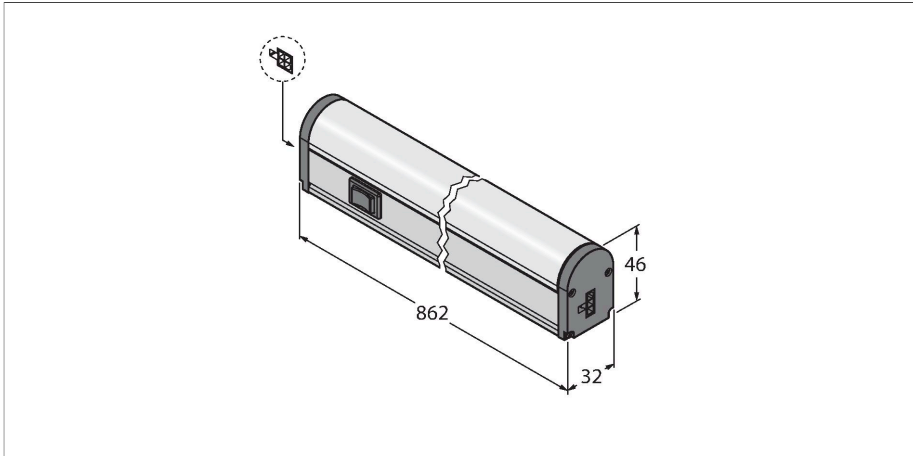


WLB32ZC850PBQM

Work Light – Linear Light



Features

- Cascadable
- ON/OFF switch
- Operating voltage: 90...264 VAC
- Color: White

Functional principle

The energy-efficient LED work lights are ideally suited for industrial applications. The color temperature lies in the range of daylight, between 5,000 and 10,000 Kelvin. Despite the new, very bright LED-technology there is no glare. The lights can be easily daisy-chained, whereby each light can be switched off, 50% or 100 % luminosity with the DIP switch. The new technology provides a 40% higher energy efficiency than comparable lights.

These rugged lights in a metal housing are suitable for a wide range of applications, for example as machines or task lighting. The assembly is done via magnetic or snap-on brackets.

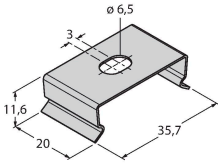
The work lights are available in four different lengths. For the AC variants there is a large variety of country-specific connectors available.

Technical data

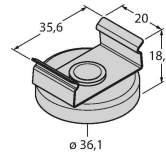
Type	WLB32ZC850PBQM
ID	3087491
Signal and display data	
Purpose	LED work light
Function	Linear light
Light type	White
Color temperature	4700...+5300 K
Luminous flux lumen	1800 lm
LED service life (L70)	50000 h
Dimmable	Two-stage
Features of color 1	White, Permanently on, 2250 lm
Electrical data	
Operating voltage	90...264 VAC
Mechanical data	
Cascadable	Yes
Design	Rectangular, WLB32
Dimensions	862 x 32 x 46 mm
Housing material	Metal, AL
Window material	Polycarbonate, diffuse
Electrical connection	Connector, PVC
Number of cores	3
Ambient temperature	-25...+45 °C
Protection class	IP50
Tests/approvals	
Shock resistance	15 g (11 ms)
Approvals	CE, UL

Accessories

LMBWLB32 **3090623**
 Snap bracket for WLB32 work light,
 included in the WLB92 scope of
 delivery

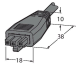
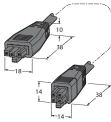


LMBWLB32MAG **3087851**
 Snap bracket for WLB32 work light,
 for mounting on metal surfaces



LMBWLB32-180S **3087852**
 Snap bracket for WLB32 work light,
 rotatable up to 180° degrees

Accessories

Dimension drawing	Type	ID	
	LQMAC-306	3086779	Connection cable, 3-wire, stranded wire
	LQMAEC-306SS	3085580	Extension cable to cascade WLB32 lights, length 1.83 m, optional