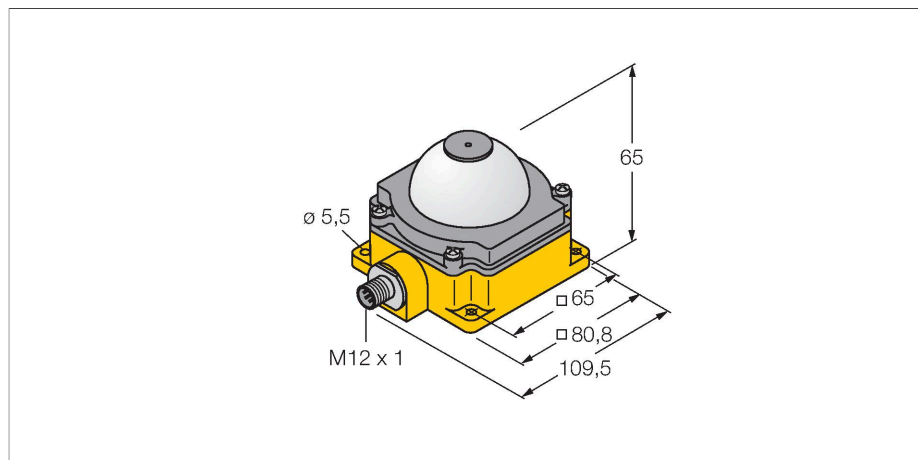


K80LGRA2YPQ

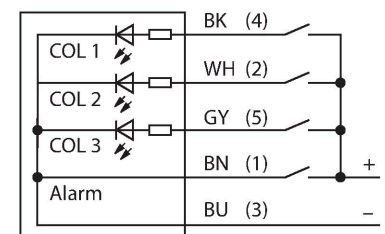
LED Indicator – Beacon with Audible Signal



Features

- LED all-round visible
- Pulsed signal: 75dB
- Individually controllable
- Protection class IP50
- Multicolor: Green (COL 1) / Red (COL 2) / Yellow (COL 3)
- Male M12 x 1, 5-pin
- Operating voltage 18...30 VDC

Wiring diagram



Technical data

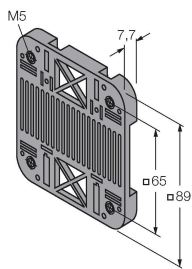
Type	K80LGRA2YPQ
ID	3078096
Signal and display data	
Purpose	LED indicator light
Function	Spotlight
Light type	Green Red Yellow
Dimmable	No
Features of color 1	Green, Permanently on
Features of color 2	Red
Features of color 3	Yellow
Acoustic signal	Pulsed, 75 dB
Electrical data	
Operating voltage	18...30 VDC
DC rated operational current	≤ 40 mA
Max. current consumption per color	40 mA
Max. current consumption of beeper	40 mA
Input type	PNP
Response time typical	< 10 ms
Mechanical data	
Cascadable	No
Design	Dome, K80L
Dimensions	136.6 x 80.9 x 66.7 mm
Housing material	Plastic, PC, Yellow
Window material	Acrylic, diffuse
Electrical connection	Connector, M12 × 1, PVC

Technical data

Number of cores	5
Ambient temperature	-20...+50 °C
Protection class	IP50
Tests/approvals	
Approvals	CE

Accessories

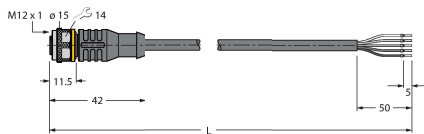
SMBDX80DIN 3077161



Mounting panel for DIN rail, suited for CP80, DX80, K80, Q80, operating temperature: -20...90 °C

Accessories

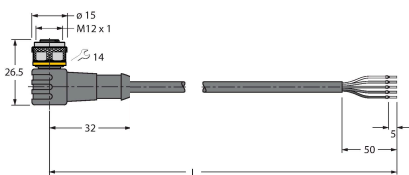
Dimension drawing	Type	ID	
-------------------	------	----	--



RKC4.5T-2/TEL

6625016

Connection cable, M12 female connector, straight, 5-pin, cable length: 2 m, jacket material: PVC, black; cULus approval



WKC4.5T-2/TEL

6625028

Connection cable, M12 female connector, angled, 5-pin, cable length: 2 m, jacket material: PVC, black; cULus approval