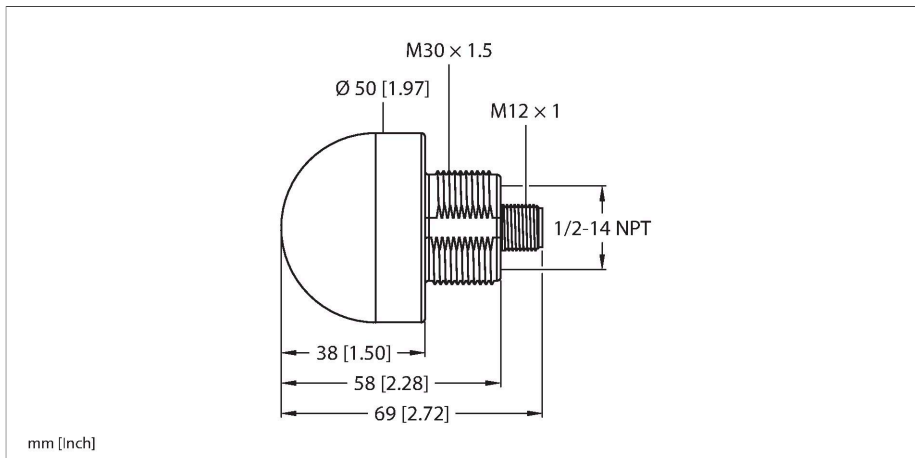


K50LGRBNQ

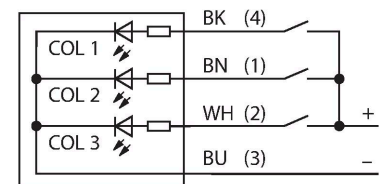
LED Indicator – Beacon



Features

- All-round LED display
- Individually controllable
- Mechanical screw-in thread M30 x 1.5
- Protection classes IP67/IP69K
- Multicolor: Green (COL 1) / Red (COL 2) / Blue (COL 3)
- Male M12x1
- Operating voltage 18...30 VDC

Wiring diagram



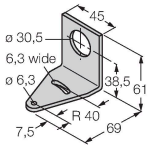
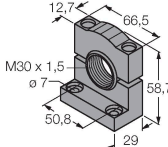
Technical data

| | |
|------------------------------------|----------------------------|
| Type | K50LGRBNQ |
| ID | 3018897 |
| Signal and display data | |
| Purpose | LED indicator light |
| Function | Spotlight |
| Light type | Green Red Blue |
| LED service life (L70) | 50000 h |
| Dimmable | No |
| Features of color 1 | Green, Permanently on |
| Features of color 2 | Red |
| Features of color 3 | Blue |
| Special features | Wash down |
| Electrical data | |
| Max. current consumption per color | 40 mA |
| Output function | NO contact, Potential-free |
| Input type | minus-schaltend |
| Response time typical | < 1 ms |
| Mechanical data | |
| Cascadable | No |
| Design | Dome, K50L |
| Dimensions | Ø 50 x 69 mm |
| Housing material | Plastic, PC, Black |
| Window material | Polycarbonate, diffuse |
| Electrical connection | Connector, M12 × 1, PVC |
| Number of cores | 4 |

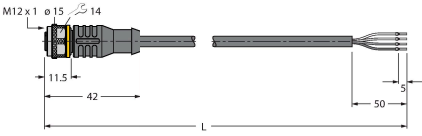
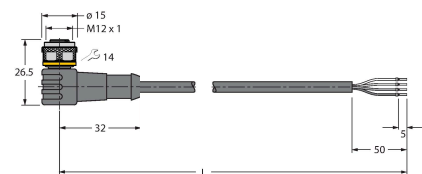
Technical data

| | |
|------------------------|---|
| Ambient temperature | -40...+50 °C |
| Relative humidity | 0...90 % |
| Protection class | IP67 IP69 |
| Tests/approvals | |
| MTTF | 249 years acc. to SN 29500 (Ed. 99) 40 °C |
| Approvals | CE, UL listed |

Accessories

| | | | |
|--|----------------|--|----------------|
| SMB30A | 3032723 | SMB30SC | 3052521 |
|  <p>Mounting bracket, rectangular, stainless steel, for sensors with 30mm thread</p> | |  <p>Mounting bracket, PBT black, for sensors with 30 mm thread, rotatable</p> | |

Accessories

| Dimension drawing | Type | ID | |
|---|---------------|---------|---|
|  | RKC4.4T-2/TEL | 6625013 | Connection cable, M12 female connector, straight, 4-pin, cable length: 2 m, jacket material: PVC, black; cULus approval |
|  | WKC4.4T-2/TEL | 6625025 | Connection cable, M12 female connector, angled, 4-pin, cable length: 2 m, jacket material: PVC, black; cULus approval |