

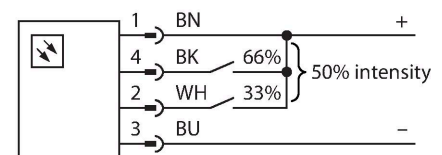
WLC60XW640ARQ

Work Light

Features

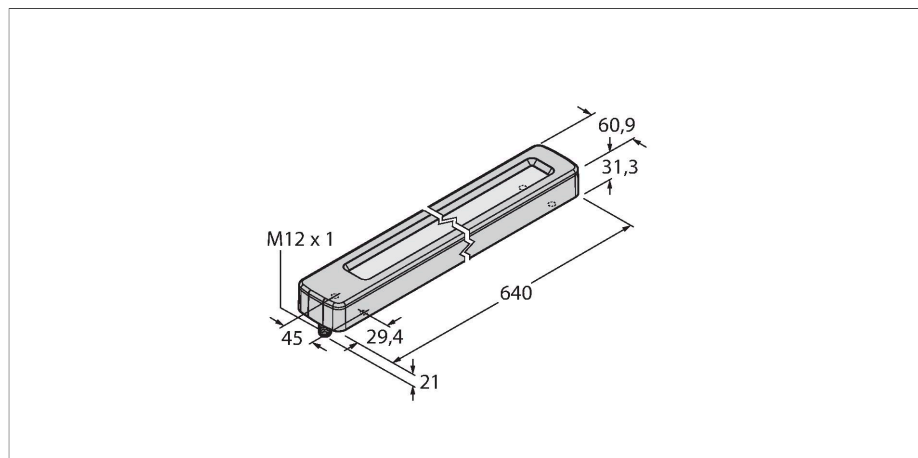
- Operating voltage: 12...30 VDC
- Protection class IP67/IP69K
- Ambient temperature: -40 °C...+70 °C
- Window material: Polycarbonate
- Housing length: 640 mm
- Monochrome: Cold white
- High protection classes IP67 / IP69K
- M12 × 2 male connector, 4-pin, rear outlet

Wiring diagram



Functional principle

The energy-efficient LED work lights are ideally suited for industrial applications. The color temperature lies in the range of daylight, between 6,000 and 7,100 Kelvin. Depending on the model, the luminous flux is 1,300 or 2,600 lumen. The WLC60 series withstands the toughest environmental conditions and offers a high brightness. Cascadable variants are also available.



Technical data

| | |
|--------------------------------|-----------------------------------------------------------|
| Type | WLC60XW640ARQ |
| ID | 3086886 |
| Signal and display data | |
| Purpose | LED work light |
| Function | Linear light |
| Light type | White |
| Color temperature | 5650...+6700 K |
| Luminous flux lumen | 2600 lm |
| LED service life (L70) | 50000 h |
| Dimmable | Two-stage |
| Features of color 1 | White, Permanently on, 2600 lm |
| Special features | Chemical-resistant Wash down Resistant to chemicals |
| Electrical data | |
| Operating voltage | 12...30 VDC |
| DC rated operational current | ≤ 3.1 mA |
| Input power | 37.2 W |
| Mechanical data | |
| Cascadable | No |
| Design | Rectangular, WLC60 |
| Dimensions | 638.9 x 60.9 x 52.3 mm |
| Housing material | Metal, Nickel-plated aluminum |
| Window material | Polycarbonate, clear |
| Electrical connection | Connector, M12 × 1, PVC |
| Number of cores | 4 |
| Ambient temperature | -40...+70 °C |

