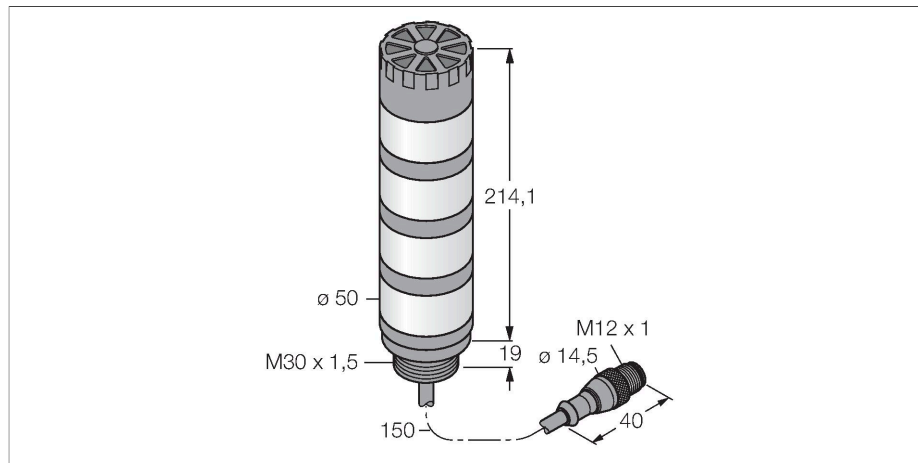


TL50GRBYAQP

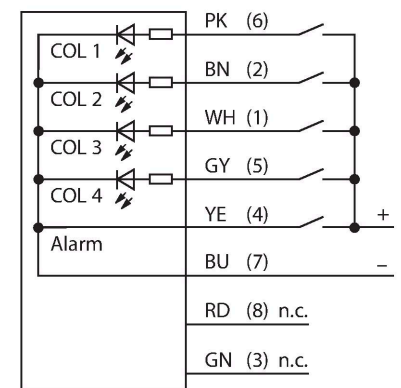
LED Indicator – Tower Light



Features

- Plastic housing, black
- EMI and RFI immune
- Protection class IP50
- Cable with male end M12 x 1, 150 mm
- Multicolor: Green (COL 1) / Red (COL 2) / Blue (COL 3) / Yellow (COL 4)
- Operating voltage: 18...30 VDC or 24 VAC with 45 mA per LED color
- Inputs: PNP/NPN
- Beeper max. 92 dB

Wiring diagram



Technical data

| | |
|------------------------------------|--------------------------------|
| Type | TL50GRBYAQP |
| ID | 3088643 |
| Signal and display data | |
| Purpose | LED indicator light |
| Function | Tower light |
| Light type | Green Red Blue Yellow |
| Dimmable | No |
| Features of color 1 | Green, Permanently on, 23 lm |
| Features of color 2 | Red, Permanently on, 7.5 lm |
| Features of color 3 | Blue, Permanently on, 4.5 lm |
| Features of color 4 | Yellow, Permanently on, 5 lm |
| Acoustic signal | Continuous tone, 92 dB |
| Electrical data | |
| Operating voltage | 18...30 VDC |
| DC rated operational current | ≤ 45 mA |
| Operating voltage | 21...27 VAC |
| Max. current consumption per color | 45 mA |
| Max. current consumption of beeper | 25 mA |
| Input type | Bipolar (PNP/NPN) |
| Response time typical | < 10 ms |
| Mechanical data | |
| Cascadable | No |
| Design | Smooth barrel, TL50 |
| Dimensions | Ø 50 x 233.1 mm |

Functional principle

The TL50 tower lights provide highly visible status indicators and a clear user guidance within the entire system. They can be assembled from varicolored LEDs and are available with or without beeper. You can mount them directly on machines, in the cabinet or in monitoring locations of production lines.

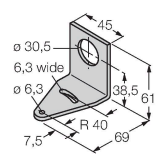
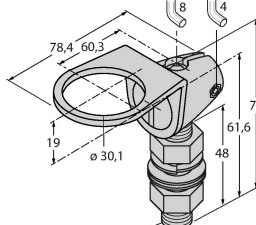
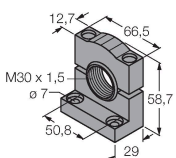
The wiring diagram shows a PNP pin assignment.

There are 10 colors available blue (B), green (G), red (R), yellow (Y), white (W), turquoise (T), orange (O), violet (V), sky blue (S) and magenta (M), which specify the light sequence from bottom to top in the type code of the tower light. Example: TL50GYRQ, colors green, yellow and red arranged from bottom to top.

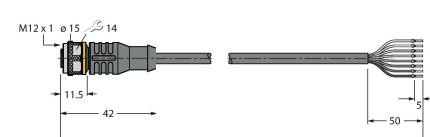
Technical data

| | |
|------------------------|--|
| Housing material | Plastic, ABS, Black |
| Window material | Polycarbonate, diffuse |
| Electrical connection | Cable with connector, M12 × 1, 0.15 m, PVC |
| Number of cores | 8 |
| Ambient temperature | -20...+50 °C |
| Relative humidity | 0...95 % |
| Protection class | IP50 |
| Tests/approvals | |
| Approvals | CE, UL listed |

Accessories

| | | | |
|---|---|---|---|
| <p>SMB30A</p>  | <p>3032723</p> <p>Mounting bracket, rectangular, stainless steel, for sensors with 30mm thread</p> | <p>SMB30FA</p>  | <p>3074005</p> <p>Montagewinkel; Werkstoff VA 1.4401</p> |
| <p>SMB30SC</p>  | <p>3052521</p> <p>Mounting bracket, PBT black, for sensors with 30 mm thread, rotatable</p> | | |

Accessories

| Dimension drawing | Type | ID | |
|---|--------------------|---|--|
|  | <p>RKC8T-2/TEL</p> | <p>6625130</p> <p>Connection cable, M12 female connector, straight, 8-pin, cable length: 2 m, jacket material: PVC, black; cULus approval</p> | |

Dimension drawing

Type

WKC8T-2/TEL

ID

6625133

Connection cable, M12 female connector, angled, 8-pin, cable length: 2 m, jacket material: PVC, black; cULus approval

