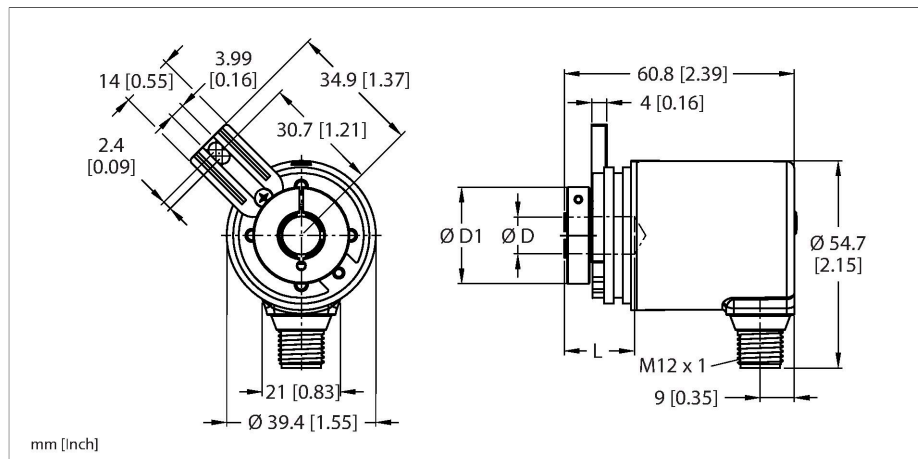


REM-102B10T-9D38B-H1151

Absolute Rotary Encoder - Multiturn

Industrial Line



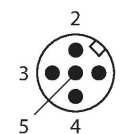
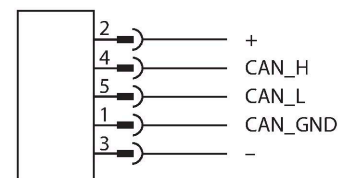
Features

- Flange with mounting element
- Blind hole hollow shaft, Ø 10 mm (plug-in depth max. 18.5 mm)
- Magnetic measuring principle
- Shaft material: stainless steel
- Protection class IP67 on housing and shaft side
- -40...+85 °C
- Max. 4000 rpm (continuous operation 2000 rpm)
- Energy harvesting technology
- 10...30 VDC
- CANopen
- M12 × 1 male connector, 5-pin
- Singleturn resolution 14 bit scalable, default 14 bit
- Multiturn resolution scalable up to 16 bit over total resolution
- Total resolution 32 bit scalable, default: 32 bit

Technical data

Type	REM-102B10T-9D38B-H1151
ID	100011373
Measuring principle	Magnetic
General data	
Max. Rotational Speed	4000 rpm
Moment of inertia of the rotor	6×10^{-6} kgm ²
Starting torque	< 0.01 Nm
Repetition accuracy	± 0.2 ° At 25 °C
Absolute accuracy	± 1 ° At 25 °C
Output type	Absolute multiturn
Electrical data	
Operating voltage	10...30 VDC
No-load current	30 mA
Short-circuit protection	yes
Wire breakage/Reverse polarity protection	yes
Communication protocol	CANopen
Interface	CAN High-Speed in accordance with ISO 11898, basic and full CAN, CAN specification 2.0 B
Node ID	1...127 mit Software konfigurierbar; Werkseinstellung: 63
Baud rate	10...1000 kbps configurable with software
Mechanical data	
Design	Hollow shaft
Flange type	Flange with mounting element
Flange diameter	Ø 36 mm

Wiring diagram



Technical data

Shaft Type	Blind hole shaft
Shaft diameter D [mm]	10
Shaft Length L [mm]	18.5
Outer diameter of compression fitting D1	25.5 mm
Shaft material	Stainless steel
Housing material	Die-cast zinc
Electrical connection	Connector, M12 × 1
	M12, 8-pin
Axial shaft load	20 N
Radial shaft load	40 N
Environmental conditions	
Ambient temperature	-40...+85 °C
Vibration resistance (EN 60068-2-6)	300 m/s ² , 10...2000 Hz
Shock resistance (EN 60068-2-27)	2500 m/s ² , 6 ms
Protection class	IP67
Protection class shaft	IP67

Accessories

Dimension drawing	Type	ID	
	FSM-2FKM57	6622101	CANopen/DeviceNet/power supply T-splitter, 1 × M12 male connector, 2 × M12 female connector, 5-pin
	RKC5701-5M	6931034	Bus cable for CAN (DeviceNet, -CANopen), M12 female connector, straight, cable length: 5 m, jacket material: PUR, anthracite; cULus approval