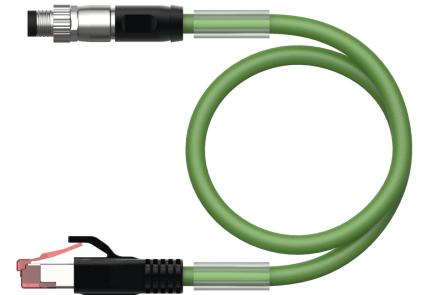
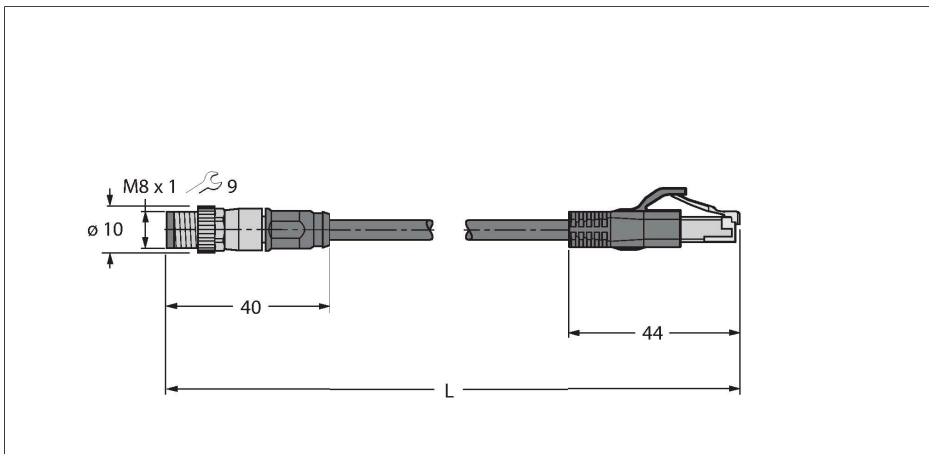


PSGS4M-RJ45S-4414-25M

Industrial Ethernet Cable – Extension Cable



Technical data

| | |
|---------------------------|--|
| Type | PSGS4M-RJ45S-4414-25M |
| ID | 6935276 |
| Connector A | Male, M8 × 1, Straight |
| Number of Pins | 4 |
| Contacts | Metal, CuZn, Gold-plated |
| Contact carriers | PA, UL 94, Black |
| Connector body | Plastic, TPU, UL 94, Black |
| Coupling nut/screw | Zinc, GD-Zn, Nickel-plated |
| Tightening torque (range) | 0.4 ... 0.6 Nm (observe max. torque of mating connector!) |
| Mechanical lifespan | > 100 Mating cycles |
| Pollution degree | 3/2 |
| Protection class | IP67, Only in screwed condition |
| Connector B | Male, RJ45, Straight |
| Number of pins | 4 |
| Contacts | Metal, CuZn, Gold-plated |
| Contact carriers | Plastic, PC |
| Connector body | Plastic, TPU, UL 94 |
| Mechanical life | > 100 Mating cycles |
| Pollution degree | 3/2 |
| Protection class | IP20 |
| Cable | |
| Network protocol | Ethernet, 4414 |
| Cable diameter | Ø 4.8 mm ±0.30 |
| Cable length | 25 m |
| Cable jacket | PUR, Green |
| Shielding | Aluminum foil, tinned copper wire |

Features

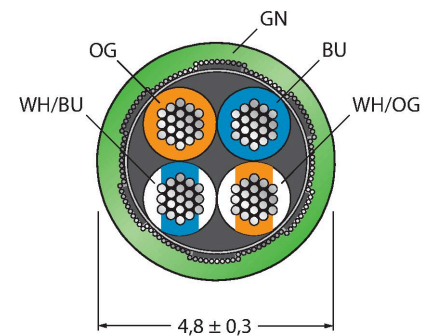


- M8 male connector, straight
- RJ45 male connector, straight, 4-pin
- Ethernet cable: 4-pin, AWG 26
- CAT 5E acc. to ISO/IEC 11801, EN 50173, EIA/TIA 568-A
- Jacket material: PUR
- Jacket color: green
- Shielding: Aluminum-laminated polyester film, copper braid
- Jacket diameter: 4.8 mm
- Suitable for drag chain use
- UV resistant
- Oil resistant acc. to IEC 60811-2-1 and DIN VDE 0282 part 10
- Free from silicone, PVC and LABS
- Free from halogen acc. to IEC 60754-2
- Flame retardant acc. to IEC 60332-1-2
- Approval: cULus
- RoHS compliant
- Protection class IP67
- Cable length: 25 m

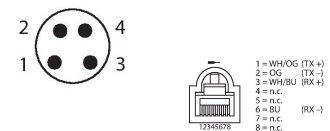
Cable Cross-Section

Technical data

| | |
|---|--------------------------|
| Core insulation | PP |
| Core cross-section | 4 x 0.15 mm ² |
| Arrangement of strands | 19 x 0.102 mm |
| Core colors | WHOG, WHBU, BU, OG |
| Electrical properties at +20 °C | |
| Rated voltage | 42 V |
| Test voltage | 700 V |
| Current | 3 A |
| Nom. impedance | 100 Ω (1MHZ) |
| Nom. capacitance | 51 pF/m |
| Mechanical and chemical properties | |
| Bending radius (stationary installation) | ≥ 15 x Ø |
| Bending cycles | ≥ 5 million |
| Torsional stress | ± 30 °/m |
| Torsion cycles | ≤ 100,000 Cycles |
| Ambient temperature range (stationary) | -40...+80 °C |
| Ambient temperature range (In motion) | -25...+80 °C |
| Other Features | |
| Qualified for drag chain use | yes |
| Halogen-free | yes |
| Silicone-free | yes |
| PVC-free | yes |
| Resistant to weld splatter | yes |
| Resistant to chemicals | yes |
| UV resistance | yes |
| Oil-resistant | yes |
| Flame-retardant | yes |
| Approvals | cULus |



Contact assignment



Circuit Diagram

