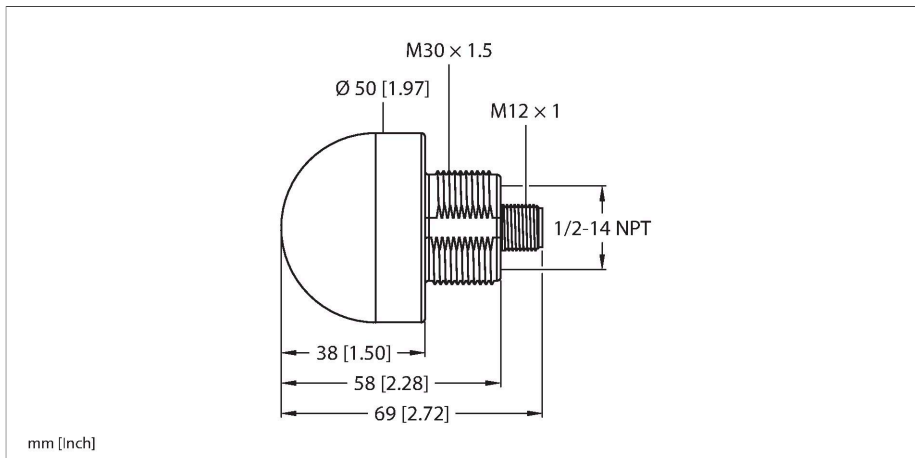


K50LGRYW4PQ

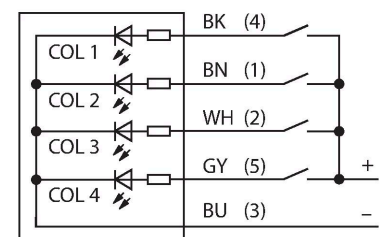
LED Indicator – Beacon



Features

- All-round LED display
- Individually controllable
- Mechanical screw-in thread M30 x 1.5
- Protection classes IP67/IP69K
- Multicolor: Green (COL 1) / Red (COL 2) / Yellow (COL 3) / White (COL 4)
- Male M12x1
- Operating voltage 18...30 VDC
- Multifunctional

Wiring diagram



Technical data

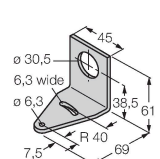
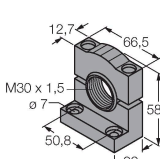
Type	K50LGRYW4PQ
ID	3085385
Signal and display data	
Purpose	LED indicator light
Function	Spotlight
Light type	Green Red Yellow White
LED service life (L70)	50000 h
Dimmable	No
Features of color 1	Green, Miscellaneous
Features of color 2	Red
Features of color 3	Yellow
Features of color 4	White
Special features	Wash down
Electrical data	
Operating voltage	18...30 VDC
DC rated operational current	≤ 40 mA
Max. current consumption per color	50 mA
Output function	NO contact, Potential-free
Input type	PNP
Response time typical	< 250 ms
Mechanical data	
Cascadable	No
Design	Dome, K50L
Dimensions	Ø 50 x 69 mm
Housing material	Plastic, PC, Black

Technical data

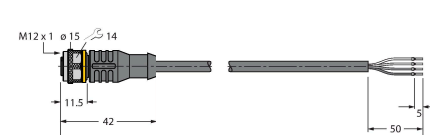
Window material	Polycarbonate, diffuse
Electrical connection	Connector, M12 × 1, PVC
Number of cores	5
Ambient temperature	-40...+50 °C
Relative humidity	0...95 %
Protection class	IP67 IP69
Tests/approvals	
MTTF	249 years acc. to SN 29500 (Ed. 99) 40 °C
Approvals	CE, UL listed

PIN 4 (BK)	PIN 1 (BN)	PIN 2 (WH)	Pin 5 (GY)	Function
X				green steady
X		X		green flashing
	X			red steady
X	X			red flashing
		X		yellow steady
	X	X		yellow flashing
			X	blue steady
	X		X	blue flashing
X			X	green and red alternating
		X	X	red and blue alternating
X		X	X	green and yellow alternating
X	X		X	green and blue alternating
	X	X	X	red and yellow alternating
X	X	X		yellow and blue alternating
X	X	X	X	green, red, yellow and blue alternating

Accessories

SMB30A	3032723	SMB30SC	3052521
 <p>Mounting bracket, rectangular, stainless steel, for sensors with 30mm thread</p>		 <p>Mounting bracket, PBT black, for sensors with 30 mm thread, rotatable</p>	

Accessories

Dimension drawing	Type	ID	
	RKC4.4T-2/TEL	6625013	Connection cable, M12 female connector, straight, 4-pin, cable length: 2 m, jacket material: PVC, black; cULus approval

Dimension drawing

Type
WKC4.4T-2/TELID
6625025Connection cable, M12 female
connector, angled, 4-pin, cable length:
2 m, jacket material: PVC, black; cULus
approval