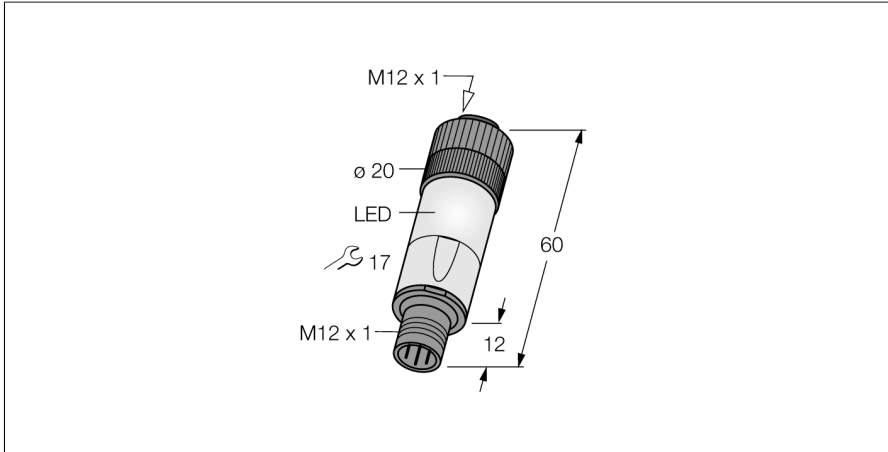


Accessories

Smart Plug

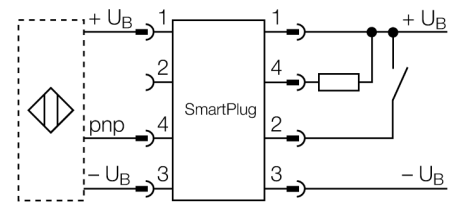
PNP/NPN Converter

SPN1-AP6-ARN6X



- multifunctional adapter for connection to standard sensors
- Degree of protection IP67
- 4-pin M12 x 1, female connector
- 4-pin M12 x 1, male connector

Wiring Diagram



Type	SPN1-AP6-ARN6X
ID	A0624
Operating voltage	10...30 VDC
Output function	4-wire
Insulation class	□
Dimensions	60 mm
Housing material	Plastic, PBTP
Ambient temperature	0...+60 °C
Protection class	IP67

Functional principle

The SmartPlug Inverter SPN1-AP6-ARN6X inverts the signal of the connected sensor from pnp to npn. Additionally, the output function can be changed with the control line (NO/NC).

Function accessories

Type code	Ident no.		Dimension drawing
VB2-SP1	A3501-29	Teach adapter	