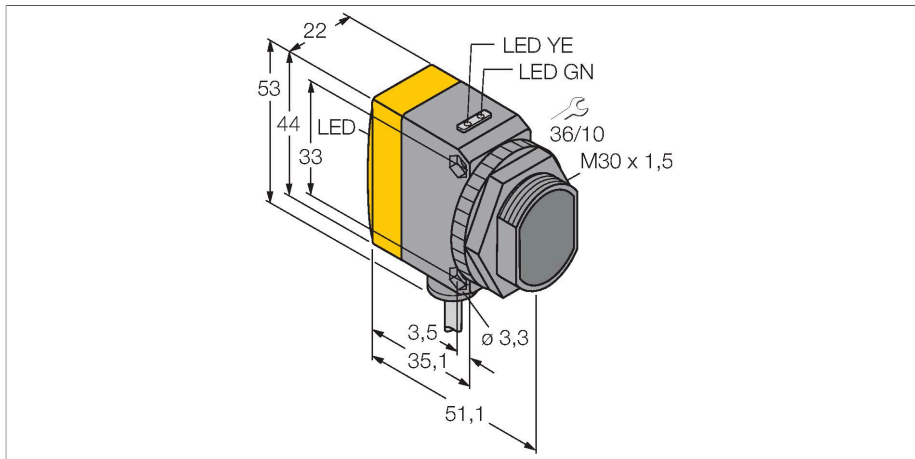


# QS30VR3R W/30'

## Photoelectric Sensor – Opposed Mode Sensor (Emitter/Receiver)



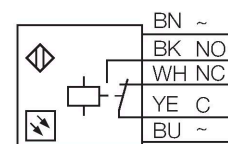
### Technical data

Type	QS30VR3R W/30'
ID no.	3073197
<b>Optical data</b>	
Function	Opposed mode sensor
Operating mode	Receiver
Range	0...60000 mm
<b>Electrical data</b>	
Operating voltage	12...250 VDC
Operating voltage	24...250 VAC
No-load current	≤ 22 mA
Output function	NO/NC, Relay output
Switching frequency	≤ 100 Hz
Readiness delay	≤ 100 ms
Response time typical	< 15 ms
<b>Mechanical data</b>	
Design	Rectangular with thread, QS30
Dimensions	Ø 30 x 51.5 x 22 x 44 mm
Housing material	Plastic, Thermoplastic material, Yellow
Lens	plastic, Acrylic
Electrical connection	Cable, 9 m, PVC
Number of cores	5
Core cross-section	0.5 mm <sup>2</sup>
Ambient temperature	-20...+70 °C
Protection class	IP67
Power-on indication	LED, Green
Switching state	LED, Yellow

### Features

- Cable, PVC, 9 m
- Protection class IP67
- LED all-round visible
- Operating voltage: 12...250 VDC or 24...250 VAC
- Relay output, changeover

### Wiring diagram



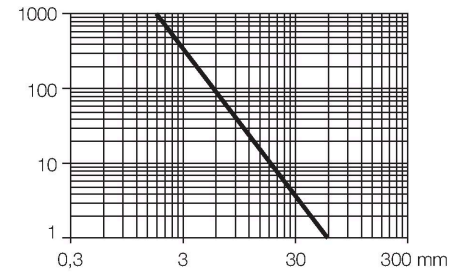
### Functional principle

Opposed mode sensors consist of an emitter and receiver. They are installed opposite to each other so that the light from the emitter is aimed directly at the receiver. When an object interrupts or weakens the light beam, the sensor switches. Large distance operation is possible due to an excellent light/dark contrast and an extremely high excess gain.

Excess gain curve  
Excess gain in relation to the distance

## Technical data

Excess gain indication	LED, yellow, flashing
<b>Tests/approvals</b>	
MTTF	293 years acc. to SN 29500 (Ed. 99) 40 °C
Approvals	CE



## Accessories

**SMB30A** 3032723

Mounting bracket, rectangular, stainless steel, for sensors with 30mm thread

**SMBQS30L** 3002809

Mounting bracket, stainless steel, for QS30 series

**SMBQS30Y** 3002811

Protective housing, stainless steel, for QS30 series

**SMBQS30YL** 3072741

Protective housing with safety glass panel, stainless steel, for QS30 series

**SMB30MM** 3027162

Mounting bracket, rectangular, stainless steel, for sensors with 30 mm thread, wide holes for accurate alignment

**SMB30SC** 3052521

Mounting bracket, PBT black, for sensors with 30 mm thread, rotatable