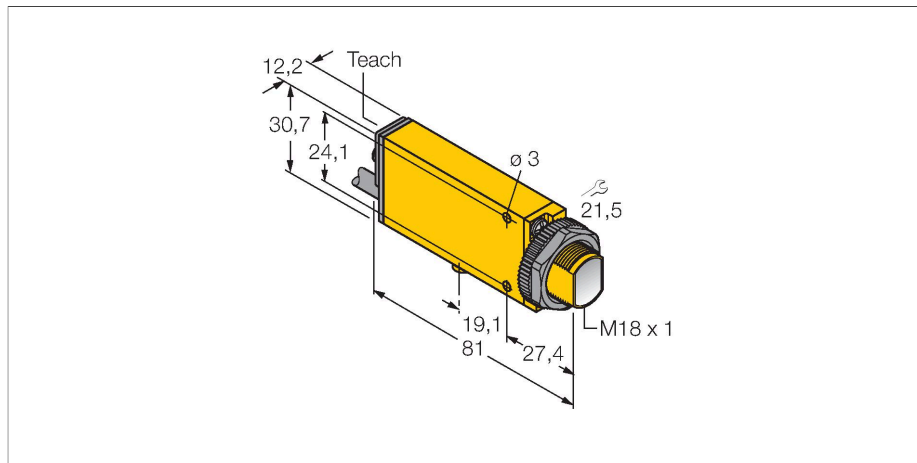


SMU315FVQDP

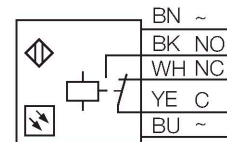
Photoelectric Sensor – Photoelectric Sensor for Glass Fibers



Features

- Cable, PVC, 2 m
- Protection class IP67
- Sensitivity adjusted via potentiometer
- Alignment indicator
- Operating voltage: 24...240 VDC or 24...240 VAC
- Relay output

Wiring diagram



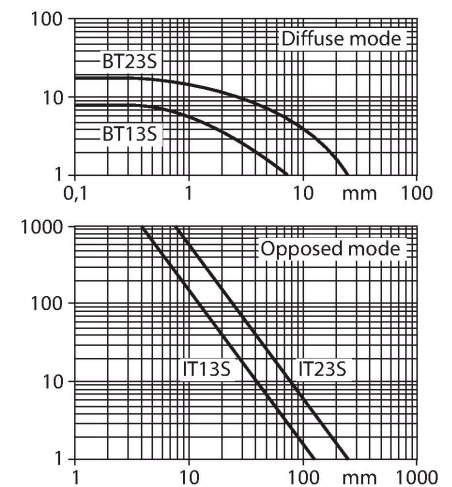
Technical data

Type	SMU315FVQDP
ID no.	3067932
Optical data	
Function	Photoelectric sensor for glass fibers
Fiber-optic type	glass
Light type	Red
Wavelength	650 nm
Electrical data	
Operating voltage	24...240 VDC
Operating voltage	24...240 VAC
DC rated operational current	≤ 3000 mA
AC rated operational current	≤ 3000 mA
Output function	NO/NC, Relay output
Switching frequency	≤ 25 Hz
Readiness delay	≤ 1000 ms
Response time typical	< 20 ms
Max. DC switching capacity	1 W
Setting option	Potentiometer
Mechanical data	
Design	Rectangular with thread, Mini Beam
Dimensions	81 x 12.3 x 30.7 mm
Housing material	Plastic, Thermoplastic material, Yellow
Electrical connection	Cable with connector, 1/2", 0.15 m, PVC
Number of cores	5
Core cross-section	0.5 mm ²
Ambient temperature	-20...+55 °C
Relative humidity	0...90 %

Functional principle

Glass or plastic fibers are the optimum choice for high-temperature applications and limited spaces. Optical fibers transfer the light from the sensor to a remote object. Individual fibers are used for opposed sensing mode, whereas bifurcated fibers are suited for diffuse sensing mode.

Excess gain curve
Excess gain in relation to distance



Technical data

Protection class	IP67
Special features	Wash down
Switching state	LED, Red
Excess gain indication	LED, red, flashing
Tests/approvals	
Approvals	CE, cURus, CSA

Accessories

<p>SMB18A</p>	<p>3033200</p> <p>Mounting bracket, rectangular, stainless steel, for sensors with 18 mm thread</p>	<p>SMB18AFAM10</p>	<p>3012558</p> <p>Mounting bracket, material VA 1.4401, for M10 x 1.5 thread, thread length 18 mm</p>
<p>SMB18SF</p>	<p>3052519</p> <p>Mounting bracket, PBT black, for sensors with 18 mm thread, rotatable</p>	<p>SMB312B</p>	<p>3025519</p> <p>Mounting bracket, stainless steel, for MINI-BEAM NAMUR</p>
<p>SMB3018SC</p>	<p>3053952</p> <p>Mounting bracket, PTB black, for sensors with 18 mm thread</p>		

Accessories

Dimension drawing	Type	ID no.	
	BT23S	3017276	Glass fiber, sensing mode: Diffuse mode, threaded sleeve (brass), bundle diameter 3.2 mm, flexible stainless steel jacket, ambient temperatures -140...+250 °C

	IT23S	3017355	Glass fiber, sensing mode: Opposed mode, threaded sleeve (brass), bundle diameter 3.2 mm, flexible stainless steel jacket, ambient temperatures -140...+250 °C
--	-------	---------	--