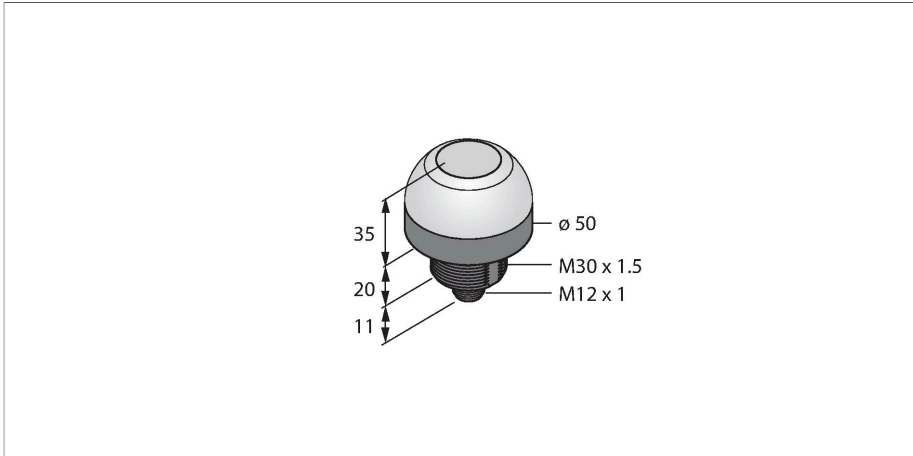


# K30ALBT2GRHQ

## Pick-to-Light – Placement Sensor

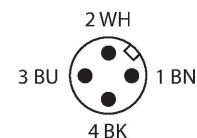
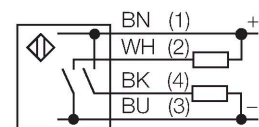
### Capacitive Sensor



### Features

- Protection classes IP67 IP69K
- M12 x 1 male connector, 5-pin
- Disabled: Green (COL 1)
- Enabled: Red (COL 2)
- Operating voltage 10...30 VDC
- Bipolar circuit
- NO contact
- Hold function
- Capacitive sensor of the second generation
- High immunity to false actuation by splashing, detergents, oils and other contaminants

### Wiring diagram



### Functional principle

The K30 pick-and-place sensor is suitable for many assembly and placement sequences. LED light is reflected perfectly by the entire dome. The device has two display colors depending on the version: Color 1 Shows the disabled state, color 2 the enabled state. Since the device has no inputs, a color change is exclusively realized by touching the sensor (enable). Devices with a hold function keep

### Technical data

Type	K30ALBT2GRHQ
ID	3802581
<b>Signal and display data</b>	
Purpose	Pick-to-Light
Function	Touch Button
Light type	Green Red
LED service life (L70)	50000 h
Switch Function	Latching
Features of color 1	Green, Permanently on, 4.4 lm
Features of color 2	Red, 1.7 lm
Special features	Wash down
<b>Electrical data</b>	
Operating voltage	12...30 VDC
DC rated operational current	≤ 150 mA
Max. current consumption per color	55 mA
Output function	NO contact, PNP/NPN
Input type	Bipolar (PNP/NPN)22
Response time typical	< 150 ms
<b>Mechanical data</b>	
Design	Dome, K30
Dimensions	Ø 30 x 54.5 mm
Housing material	Plastic, PC, Black
Window material	Polycarbonate, diffuse
Electrical connection	Connector, M12 x 1, PVC
Number of cores	5

## Technical data

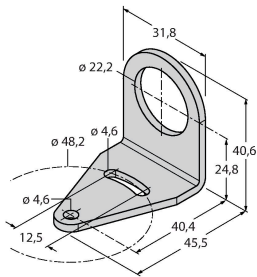
the enabled state, even when the contact ends.

Ambient temperature	-40...+50 °C
Relative humidity	0...90 %
Protection class	IP67 IP69
<b>Tests/approvals</b>	
Approvals	CE, cULus listed

## Accessories

SMB22A	3079414
--------	---------

Mounting bracket, stainless steel, for K30L series



## Accessories

Dimension drawing	Type	ID	
	RKC4.4T-2/TEL	6625013	Connection cable, M12 female connector, straight, 4-pin, cable length: 2 m, jacket material: PVC, black; cULus approval
	WKC4.4T-2/TEL	6625025	Connection cable, M12 female connector, angled, 4-pin, cable length: 2 m, jacket material: PVC, black; cULus approval