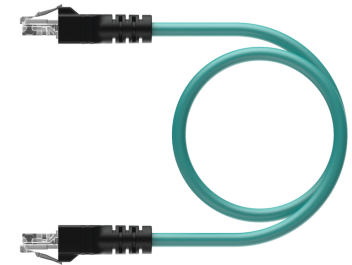
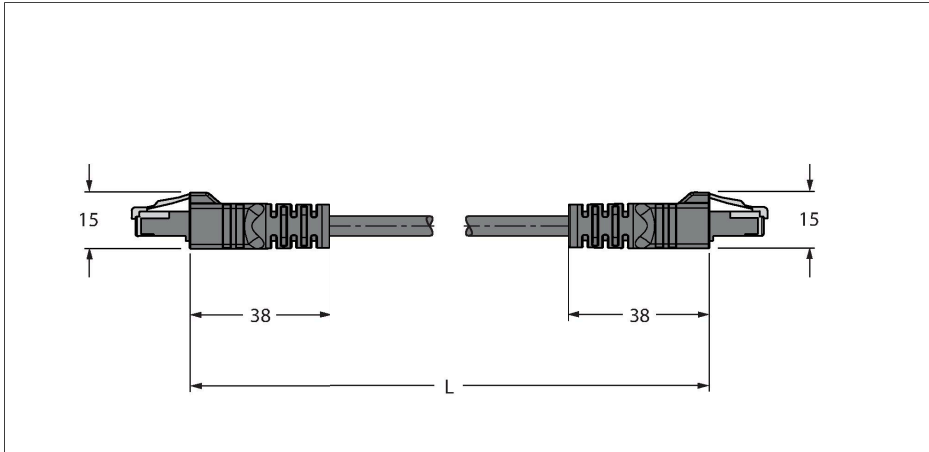


RJ45S RJ45S 841-0.5M

Industrial Ethernet Cable – Extension Cable



Technical data

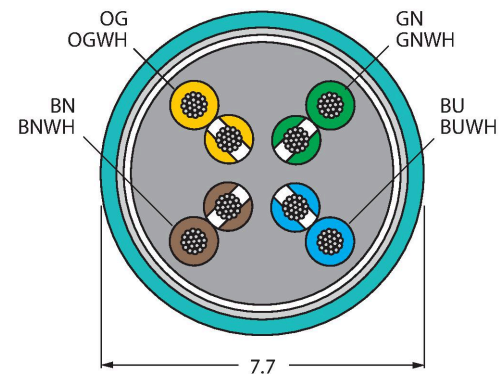
Type	RJ45S RJ45S 841-0.5M
ID	U8636-05
Connector A	Male, RJ45, Straight
Number of Pins	8
Contacts	Metal, CuSn, Gold-plated
Contact carriers	Plastic, PC, Transparent
Connector body	Plastic, TPU, Black
Protection class	IP20
Connector B	Male, RJ45, Straight
Number of pins	8
Contacts	Metal, CuSn, Gold-plated
Contact carriers	Plastic, PC, Transparent
Connector body	Plastic, TPU, Black
Protection class	IP20
Cable	
Network protocol	Ethernet, 841
Cable diameter	Ø 7.7 mm
Cable length	0.5 m
Cable jacket	TPE, Green
Shielding	yes
Core insulation	PE
Core cross-section	8 x 0.21 mm ²
Core colors	WH/BU, WH/BN, BN, OG, WH/GN, WH/OG, BU, GN
Electrical properties at +20 °C	
Rated voltage	42 V
Current	1.5 A
DC resistance (loop)	94 Ω/km

Features

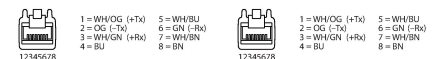


- RJ45 male connector, straight, 8-pin
- RJ45 male connector, straight, 8-pin
- Cable length: 0.5 m

Cable Cross-Section



Contact assignment



Technical data

Nom. impedance	100 Ω (1 MHz)
Nom. capacitance	46 pF/m
Mechanical and chemical properties	
Bending radius (flexible use)	$\geq 10 \times \varnothing$
Bending cycles	≥ 1 million
Ambient temperature range (stationary)	-40...+80 °C
Ambient temperature range (In motion)	-40...+80 °C
Other Features	
Qualified for drag chain use	yes
UV resistance	yes
Oil-resistant	yes
Approvals	UL
Note	
- We reserve the right to make technical modifications without prior notice.	