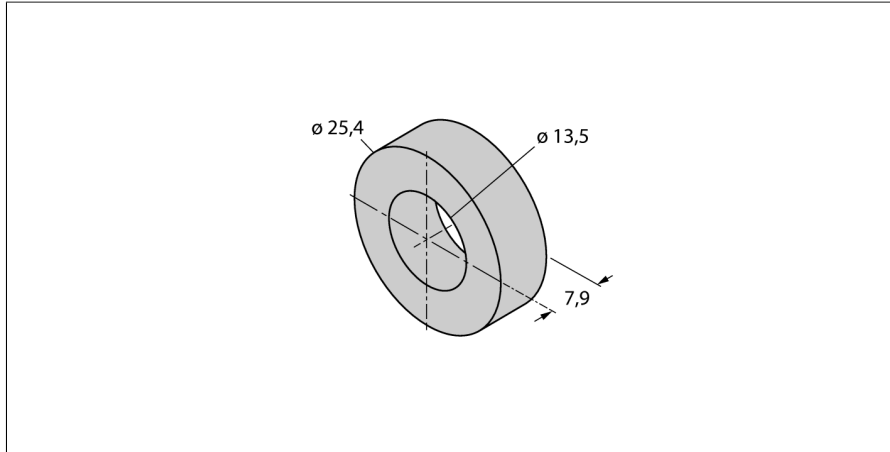


Accessories

Positioning Element

For LTX Linear Position Sensors

CM-R10



- Standard positioning element
- Suitable for installation in hydraulic cylinders

Type	CM-R10
ID	6900416