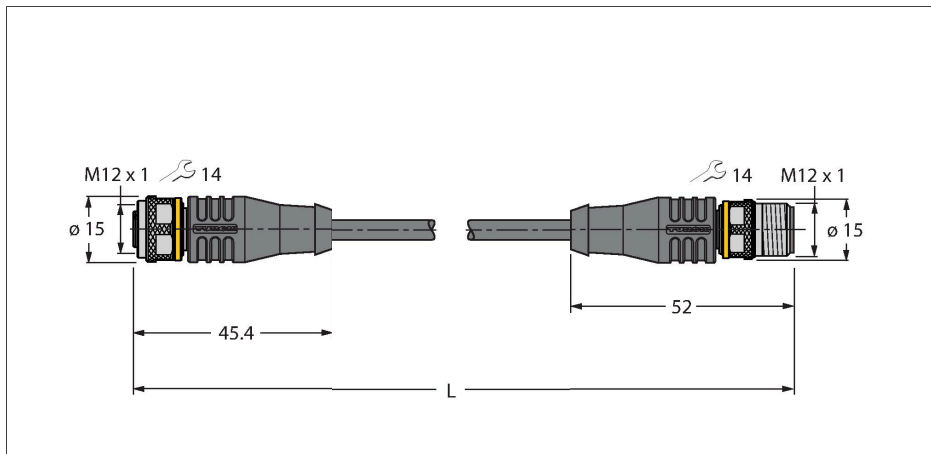


# RKS4.5T-0.3-RSS4.5T/TEL

## Actuator and Sensor Cable, PVC – Extension Cable



### Technical data

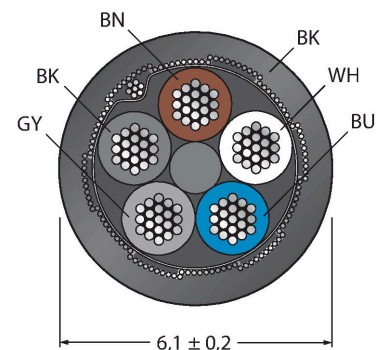
|                              |   |
|------------------------------|---|
| Type                         | RKS4.5T-0.3-RSS4.5T/TEL                 |
| ID                           | 6626385                                 |
| Connector A                  | Female, M12 × 1, Straight, A-coded      |
| Number of Pins               | 5                                       |
| Contacts                     | Brass, CuZn, Gold-plated                |
| Contact carriers             | Plastic, TPU, Black                     |
| Connector body               | Plastic, TPU, Black                     |
| Coupling nut/screw           | Brass, CuZn, Nickel-plated              |
| Seal                         | Plastic, FPM/FKM                        |
| Mechanical lifespan          | > 100 Mating cycles                     |
| Pollution degree             | 3                                       |
| Protection class             | IP67, IP69K, Only in screwed condition  |
| Connector B                  | Male, M12 × 1, Straight, A-coded        |
| Number of pins               | 5                                       |
| Contacts                     | Brass, CuZn, Gold-plated                |
| Contact carriers             | Plastic, TPU, Black                     |
| Connector body               | Plastic, TPU, Black                     |
| Coupling nut/retaining screw | Brass, CuZn, Nickel-plated              |
| Mechanical life              | > 100 Mating cycles                     |
| Pollution degree             | 3                                       |
| Protection class             | IP67, IP69K, Only when screwed together |
| Cable                        |   |
| Cable diameter               | Ø 6.1 mm ±0.20                          |
| Cable length                 | 0.3 m                                   |
| Cable jacket                 | PVC, Black                              |
| Shielding                    | Aluminum foil, tinned copper wire       |
| Core insulation              | PVC                                     |

### Features



- Female M12, straight, 5-pin
- Shield on coupling nut/screw
- Male M12, straight, 5-pin
- Jacket material: PVC, shielded
- Jacket color: black
- Resistant to chemicals and oils
- Flame retardant
- Resistant to acids and alkaline solutions
- Resistant to microbes and hydrolysis
- LABS free
- Protection class: IP67, IP69K
- Cable length: 0.3 m

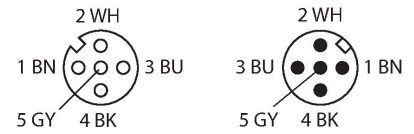
### Cable Cross-Section



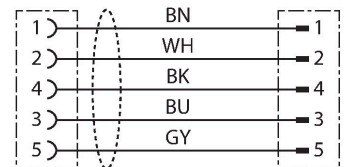
### Contact assignment

## Technical data

|   |                          |
|---|--------------------------|
| Core cross-section                        | 5 x 0.34 mm <sup>2</sup> |
| Arrangement of strands                    | 42 x 0.1 mm              |
| Core colors                               | BN, WH, BU, BK, GY       |
| <b>Electrical properties at +20 °C</b>    |                          |
| Rated voltage                             | 60 V                     |
| Test voltage                              | 2000 V                   |
| Current                                   | 4 A                      |
| Insulation resistance                     | > 30.5 MΩ/km             |
| forward resistance                        | max. 57 Ω/km             |
| <b>Mechanical and chemical properties</b> |                          |
| Bending radius (stationary installation)  | ≥ 5 x Ø                  |
| Bending radius (flexible use)             | ≥ 10 x Ø                 |
| Ambient temperature range (stationary)    | -40...+105 °C            |
| Ambient temperature range (In motion)     | 0...+80 °C               |
| Approvals                                 | cULus                    |



## Circuit Diagram

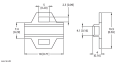


## Accessories

|   |         |   |         |
|---|---------|---|---------|
| <b>TORQUE-WRENCH-SET-AS</b>   | 6936170 | <b>BLANK-LABEL-FOR-CORDSETS-TEL-TXL</b>   | 6936206 |
| Torque wrench set; handles with adjustable torque 0.4-1.0 Nm, torque wrench for M8 (SW9), fork wrench for M12 (SW 14) |         | Label for TEL and TXL cables, length: 18 mm, height: 4 mm, material: polycarbonate (PC), color: white, halogen-free and flame-retardant |         |



## Accessories

| Dimension drawing   | Type                  | ID        |  |
|---|-----------------------|-----------|--|
|  | LABEL-HOLDER-FLEX-PVC | 100048170 | PVC label holder for identification of extension cables (TEL/TXL product series); for cable diameters: min. 5 mm; dimensions 4 x 18 mm; delivery unit: 50 pcs. per package |