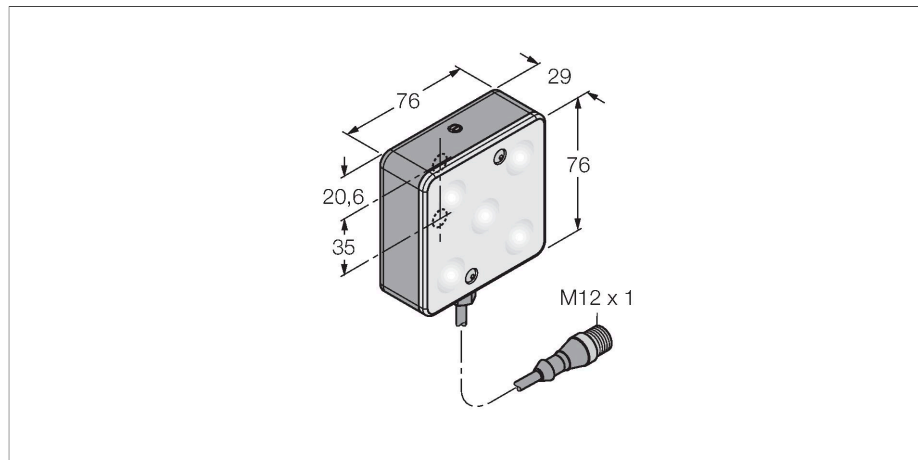


LEDWA70XD5-PQ

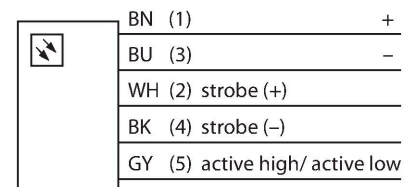
Vision System – Area Light



Features

- High-intensity area light
- Light intensity, adjustable
- Protection class: IP50
- Color: white
- Light intensity, adjustable
- Power supply: 24 VDC
- Pigtail M12x1, 0.15 m

Wiring diagram



Technical data

Type	LEDWA70XD5-PQ
ID	3016051
Signal and display data	
Purpose	Image processing
Function	Area light
Light type	White
Color temperature	5000...+8300 K
LED service life (L70)	50000 h
Dimmable	Yes
Features of color 1	White
Electrical data	
Operating voltage	24 VDC
DC rated operational current	≤ 350 mA
Max. current consumption per color	500 mA
Mechanical data	
Design	Rectangular
Dimensions	76.2 x 76.2 x 29.2 mm
Housing material	Metal, Low-carbon steel
Window material	Plastic, diffuse
Electrical connection	Connector, M12 × 1, 0.15 m, PVC
Number of cores	5
Ambient temperature	0...+50 °C
Protection class	IP50
Tests/approvals	
Approvals	CE, cULus listed

Functional principle

Area lights are perfectly suited for uniform illumination of a determined area.