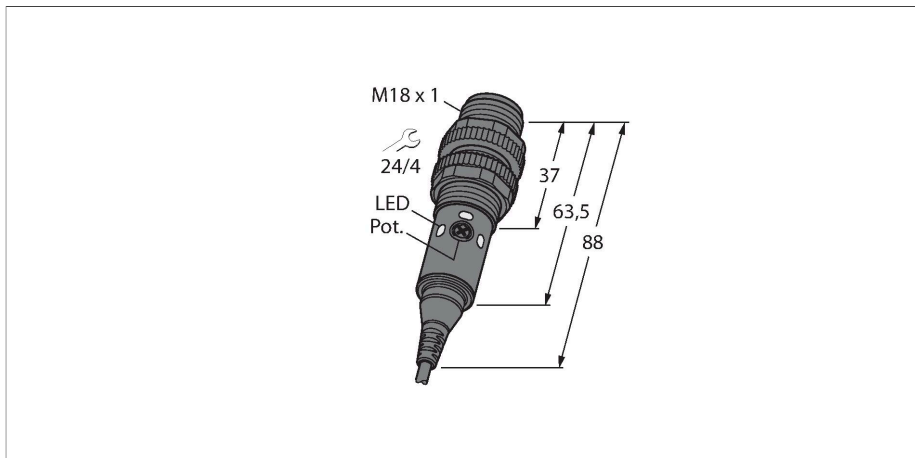


M18-3VPRS-2M

Photoelectric Sensor – Opposed Mode Sensor (Receiver)



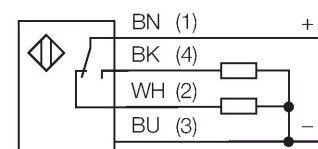
Technical data

Type	M18-3VPRS-2M
ID no.	3092557
Optical data	
Function	Opposed mode sensor
Operating mode	Receiver
Light type	Red
Wavelength	624 nm
Range	0...25000 mm
Electrical data	
Operating voltage	10...30 VDC
No-load current	≤ 8 mA
Short-circuit protection	yes / Cyclic
Reverse polarity protection	yes
Output function	Complementary contact, PNP
Readiness delay	≤ 100 ms
Response time typical	< 1.5 ms
Setting option	Potentiometer
Mechanical data	
Design	Threaded barrel, M18
Dimensions	Ø 18 x 88 mm
Housing material	Metal, Nickel-plated brass
Lens	Acrylic
Electrical connection	Cable, 2 m, PVC
Number of cores	4
Core cross-section	0.5 mm ²
Ambient temperature	-40...+70 °C
Protection class	IP67

Features

- Cable, 2 m
- Protection classes IP67 IP69K
- Ambient temperature: -40...+70 °C
- Operating voltage: 10...30 VDC
- PNP switching output, changeover

Wiring diagram



Functional principle

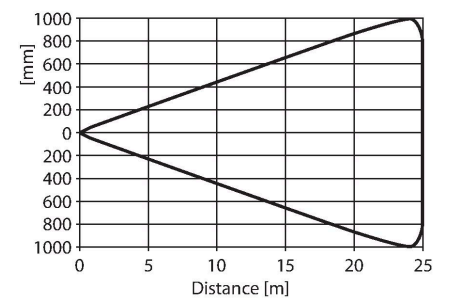
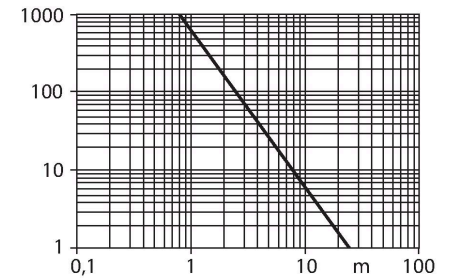
Opposed mode sensors consist of an emitter and a receiver. They are installed opposite to each other whereby the emitted light aims directly at the receiver. When an object interrupts or weakens the light beam, the sensor switches. Opposed mode sensors are the most reliable photoelectric sensors for detection of opaque objects. The high light/dark contrast and the very high excess gain are typical for this function mode and enable operation over large distances and under difficult conditions.

Excess gain curve
Excess gain in relation to distance

Technical data

	IP69
Special features	Wash down
Power-on indication	LED, Green
Switching state	2 × LEDs, Yellow
Error indication	Flashing
Excess gain indication	LED
Alarm display	Flashing
Tests/approvals	
Approvals	CE, cULus

Excess Gain Curve



Accessories

MW-18 6945004

Mounting bracket for threaded barrel sensors; material: Stainless steel A2 1.4301 (AISI 304)

SMB18A 3033200

Mounting bracket, rectangular, stainless steel, for sensors with 18 mm thread

SMB18FAM10 3011184

Mounting bracket, material VA 1.4401, for M10 x 1.5 thread, thread length 18 mm

SMB18SF 3052519

Mounting bracket, PBT black, for sensors with 18 mm thread, rotatable

SMBS18-2-1 3085931