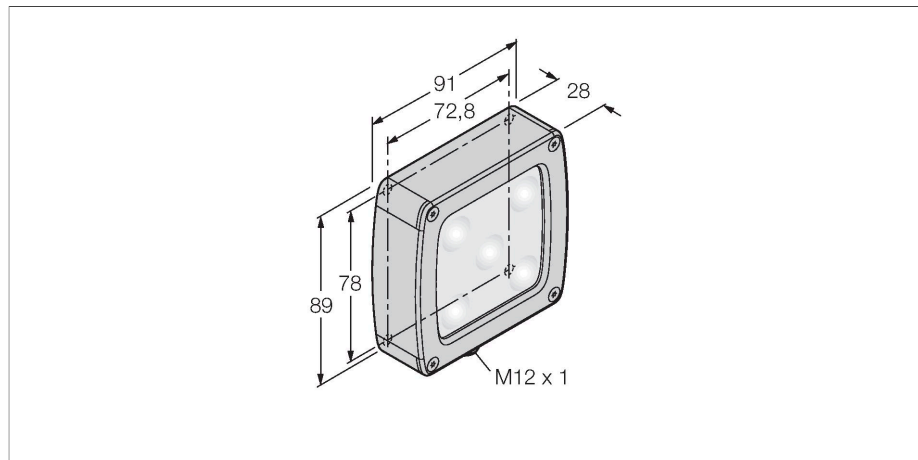


LEDBA70AD5-XQ

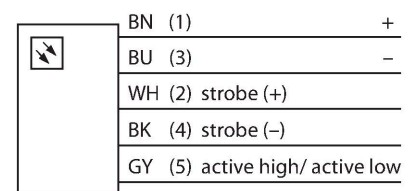
Vision System – Area Light



Features

- Sealed aluminium housing
- Protection class: IP68
- Color: blue
- Power supply: 24 VDC
- M12 x 1 male
- Plastic window, opaque

Wiring diagram



Technical data

| | |
|------------------------------------|-------------------------------|
| Type | LEDBA70AD5-XQ |
| ID | 3016148 |
| Signal and display data | |
| Purpose | Image processing |
| Function | Area light |
| Light type | Blue |
| Wavelength | 465...485 nm |
| LED service life (L70) | 50000 h |
| Features of color 1 | Blue |
| Special features | Wash down |
| Electrical data | |
| Operating voltage | 24 VDC |
| DC rated operational current | ≤ 350 mA |
| Max. current consumption per color | 500 mA |
| Mechanical data | |
| Design | Rectangular |
| Dimensions | 102 x 91 x 28.2 mm |
| Housing material | Metal, Nickel-plated aluminum |
| Window material | Plastic, diffuse |
| Electrical connection | Connector, M12 × 1, PVC |
| Number of cores | 5 |
| Ambient temperature | 0...+50 °C |
| Protection class | IP68 |
| Tests/approvals | |
| Approvals | CE, cULus listed |

Functional principle

Area lights are perfectly suited for uniform illumination of a determined area.