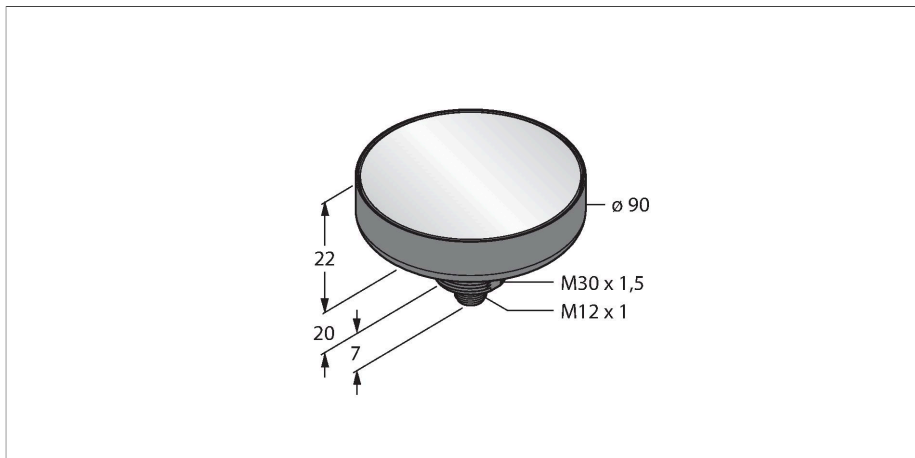


K90FDLWPQ

LED Indicator – Flat Beacon



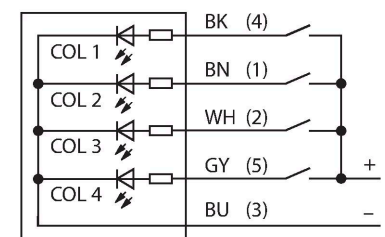
Technical data

| | |
|------------------------------------|-------------------------------|
| Type | K90FDLWPQ |
| ID | 3096141 |
| Signal and display data | |
| Purpose | LED indicator light |
| Function | Spotlight |
| Light type | White |
| Color temperature | 6000...+7100 K |
| Luminous flux lumen | 200 lm |
| LED service life (L70) | 50000 h |
| Dimmable | No |
| Features of color 1 | White, Permanently on, 235 lm |
| Electrical data | |
| Operating voltage | 12...30 VDC |
| Max. current consumption per color | 475 mA |
| Input power | 5.7 W |
| Input type | PNP |
| Response time typical | < 75 ms |
| Mechanical data | |
| Cascadable | No |
| Design | Puck, K90FDL |
| Dimensions | Ø 90 x 42 mm |
| Housing material | Plastic, PC |
| Window material | Polycarbonate, clear |
| Electrical connection | Connector, M12 × 1, PVC |
| Number of cores | 5 |
| Ambient temperature | -40...+50 °C |
| Protection class | IP67 |

Features

- Daylight bright LED indication
- Protection class IP67
- Mechanical screw-in thread M30 x 1.5
- M12 x 1 male, 5-pin
- Colors: White (COL 1)
- Flashing mode (1.6 Hz) selectable via function input
- Operating voltage: 12...30 VDC
- Individually controllable
- Inputs: PNP

Wiring diagram



Functional principle

The LED display is suitable for industrial use thanks to its rugged design in protection class IP67. The LED display is on during the input signal period.

Only one color is lit up at any time. Higher color numbers override lower. COL 3 overrides, for example, COL 1 and 2. If the function input is connected to the supply voltage, the function switches from steady on to flashing.

Technical data

Tests/approvals

| | |
|-----------|----|
| Approvals | CE |
|-----------|----|

Accessories

| Dimension drawing | Type | ID | |
|-------------------|---------------|---------|---|
| | RKC4.5T-2/TEL | 6625016 | Connection cable, M12 female connector, straight, 5-pin, cable length: 2 m, jacket material: PVC, black; cULus approval |
| | WKC4.5T-2/TEL | 6625028 | Connection cable, M12 female connector, angled, 5-pin, cable length: 2 m, jacket material: PVC, black; cULus approval |