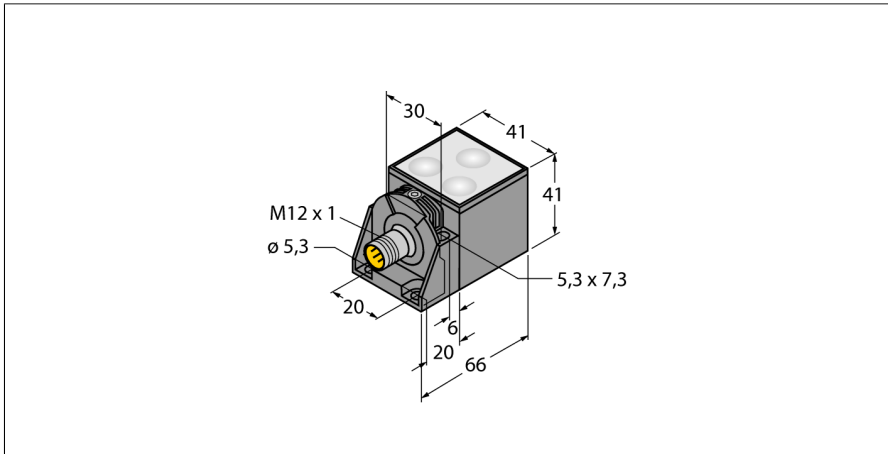


LED Machine Light

Mountable cube light

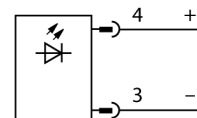
ML-CA40P-9X3-CWW-H1141



- Cube
- Front mounting
- Housing material, die-cast aluminium
- Weight 200 g
- Resistant to coolants and lubricants
- Protection class IP67
- Operating temperature: -40...+50° C
- Number of LEDs: 3
- Diffuse illumination
- Light color, cool white
- Color temperature approx. 6300 K
- Illuminance at 1 m approx. 108 lx
- Beam angle: 120°
- Service life: > 50,000 operating hours
- LED protection through integrated thermal management
- Operating voltage: 24 VDC
- Current consumption: 150 mA at 24 V
- Power consumption: 4 W
- M12 x 1 connector
- Pin assignment: 3 = 0V, 4 = +24V
- Direct connection to PLC output

Type	ML-CA40P-9X3-CWW-H1141
ID	6914397
Purpose	LED machine light
Function	Area light
Light type	White
Color temperature	6300K
Aperture angle degree	120 °
LED service life (L70)	50000 h
Operating voltage	18...30 VDC
DC rated operational current	≤ 150 mA
Input power	4 W
Design	Rectangular, CA40
Housing material	Powder-coated die-cast aluminium, AL
Window material	silicone, clear
Electrical connection	Connector, M12 x 1
Ambient temperature	-40...+50 °C
Protection class	IP67

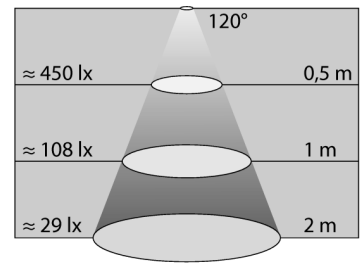
Wiring Diagram



Functional principle

The TURCK machine lights can be installed directly in and on machines thanks to their rugged housing. They are potted and resist cooling lubricants as well as aggressive cleaning agents. Rugged industrial M12 connectors ensure a sturdy connection. The standardized pinout allows the machine lights to be controlled directly via PLC outputs. 24 VDC supply also enables control via passive junctions and fieldbus stations. Targeted on and off switching reduces energy costs. No costs arise for further hardware. The illuminance is indicated in lux (lx). For comparison, at a distance of 1 m, the illuminance of a candle is 1 lx and the normal office/room lighting is 500 lx.

Illuminance



Accessories

Type code	Ident no.		Dimension drawing
ML-CA40-MP1	6914436	Angle bracket for CA40	