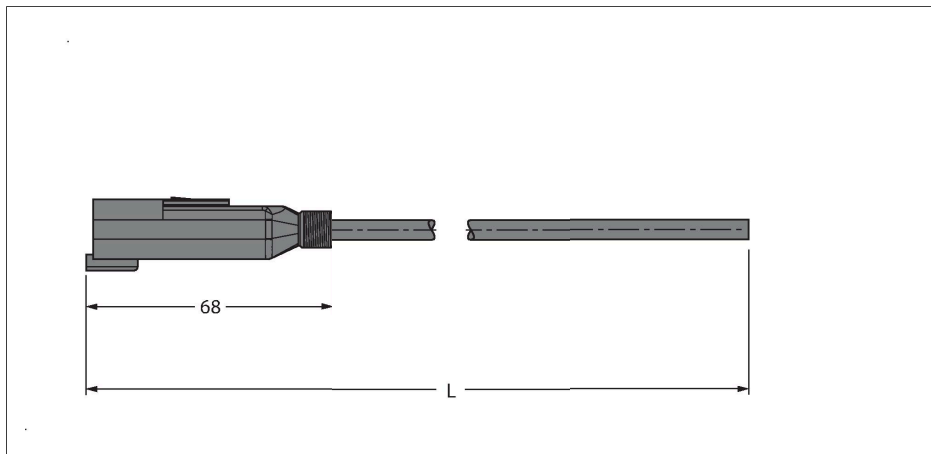


DT04-4PG-A-10/TXL

Deutsch Connector – Connection Cable

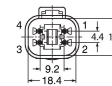


Features

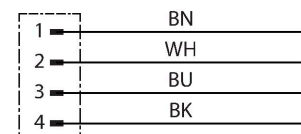


- Deutsch connector DT04, straight, 4-pin
- With M12 × 1 thread for thermowell
- Jacket material: TPE-U (PUR)
- Jacket color: black, similar to RAL 7021
- Suitable for drag chain use
- Flame retardant
- Halogen free acc. to DIN VDE 0472 part 815
- RoHS compliant
- Protection classes IP67 and IP69K
- Cable length: 10 m

Contact assignment



Circuit Diagram



Technical data

Type	DT04-4PG-A-10/TXL
ID	100000450
Connector A	Male, Deutsch DT, Straight
Number of Pins	4
Contacts	Brass, CuZn, Nickel-plated
Contact carriers	Plastic, Thermoplast, Yellow
Connector body	Plastic, TPU, UL 94, Black
Coupling nut/screw	Nickel-plated
Seal	Plastic, Silicone
Mechanical lifespan	> 100 Mating cycles
Protection class	IP67, IP69K, (plugged)
Cable	
Cable diameter	Ø 5.7 mm ±0.20
Cable length	10 m
Cable jacket	PUR, Black
Core insulation	PP
Core cross-section	4 x 0.75 mm ²
Arrangement of strands	42 x 0.15 mm
Core colors	BN, WH, BU, BK
Electrical properties at +20 °C	
Rated voltage	230 V
Test voltage	3000 V
Current	7 A
Mechanical and chemical properties	
Bending radius (flexible use)	≥ 6 x Ø
Bending cycles	≥ 2 million
Admissible acceleration	max. 10 m/s ²

Technical data

Admissible traversing speed	5 m/s
Ambient temperature range (stationary)	-40...+80 °C
Ambient temperature range (In motion)	-25...+80 °C