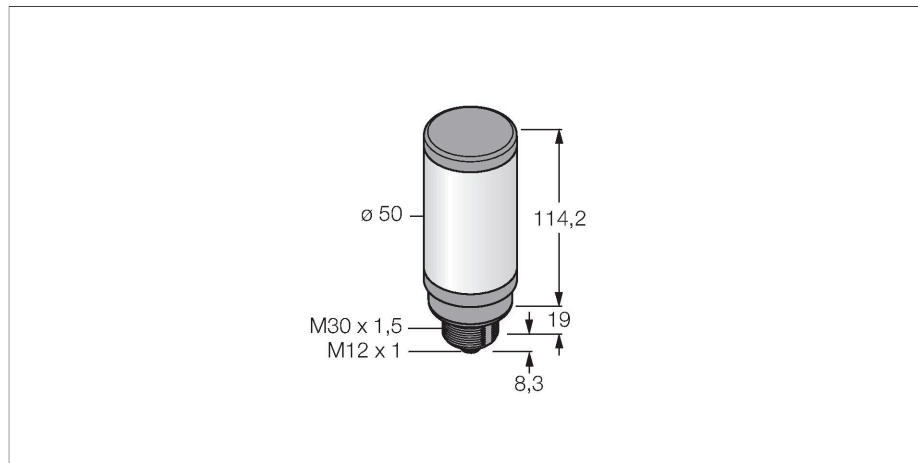


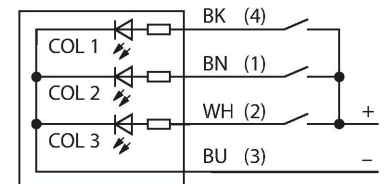
# CL50GXXPQ LED Indicator – Tower Light



## Features

- LED tower light
- Individually controllable
- Mechanical screw-in thread M30x1.5
- Protection class IP67
- Monochrome: Green (COL 1)
- M12 x 1 connector
- Operating voltage 18...30 VDC

## Wiring diagram



## Functional principle

Multicolor/multifunction display  
Rugged and well-priced LED tower, easy to install  
Illuminated segments for clear operator guidance and display of system status.  
Display of up to 3 colors.  
Compact devices, no controller required  
No mounting  
The wiring diagram shows the PNP input configuration. An instruction leaflet with detailed information about the connection is included with the devices.

## Technical data

Type	CL50GXXPQ
ID	3010459
<b>Signal and display data</b>	
Purpose	LED indicator light
Function	Tower light
Light type	Green
Dimmable	No
Features of color 1	Green, Permanently on, 72 lm
<b>Electrical data</b>	
Operating voltage	18...30 VDC
DC rated operational current	≤ 100 mA
Max. current consumption per color	100 mA
Input type	PNP
Response time typical	< 10 ms
<b>Mechanical data</b>	
Cascadable	No
Design	Smooth barrel, CL50
Dimensions	Ø 50 x 114.2 mm
Housing material	Plastic, ABS/Polycarbonate, Black
Window material	Polycarbonate, diffuse
Electrical connection	Connector, M12 × 1, PVC
Number of cores	4
Ambient temperature	-40...+50 °C
Relative humidity	0...95 %
Protection class	IP67

## Technical data

### Tests/approvals

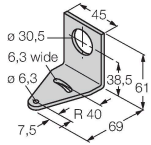
Approvals CE, UL listed

## Accessories

SMB30A

3032723

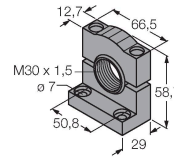
Mounting bracket, rectangular, stainless steel, for sensors with 30mm thread



SMB30SC

3052521

Mounting bracket, PBT black, for sensors with 30 mm thread, rotatable



## Accessories

Dimension drawing	Type	ID	
	RKC4.4T-2/TEL	6625013	Connection cable, M12 female connector, straight, 4-pin, cable length: 2 m, jacket material: PVC, black; cULus approval
	WKC4.4T-2/TEL	6625025	Connection cable, M12 female connector, angled, 4-pin, cable length: 2 m, jacket material: PVC, black; cULus approval