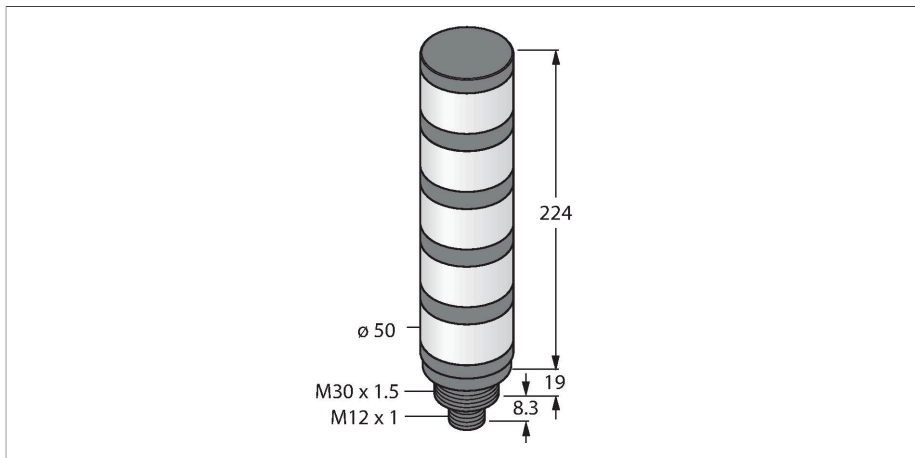


TL50HWWWWWQ

LED Indicator – High-intensity Tower Light



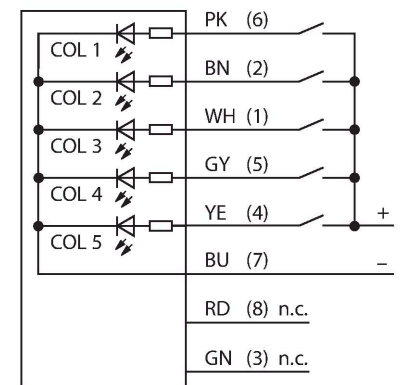
Technical data

Type	TL50HWWWWWQ
ID	3093940
Signal and display data	
Purpose	LED indicator light
Function	Tower light
Light type	White White White White White
Dimmable	No
Features of color 1	White, Permanently on, 50 lm
Features of color 2	White, Permanently on, 50 lm
Features of color 3	White, Permanently on, 50 lm
Features of color 4	White, Permanently on, 50 lm
Features of color 5	White, Permanently on, 50 lm
Electrical data	
Operating voltage	18...30 VDC
DC rated operational current	≤ 100 mA
Operating voltage	21...27 VAC
AC rated operational current	≤ 100 mA
Max. current consumption per color	100 mA
Input type	Bipolar (PNP/NPN)
Response time typical	< 10 ms
Mechanical data	
Cascadable	No
Design	Smooth barrel, TL50H
Dimensions	Ø 50 x 251.3 mm

Features

- Plastic housing, black
- EMI and RFI immune
- Protection class IP67
- Male M12 x 1
- Multicolor: 5 x White (COL 1-5)
- Operating voltage: 18...30 VDC or 24 VAC with 45 mA per LED color
- Inputs: PNP/NPN

Wiring diagram



Functional principle

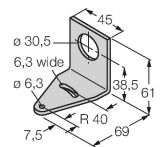
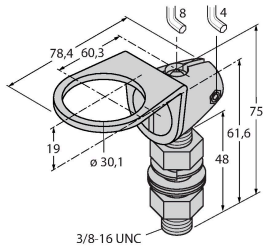
The TL50H tower lights, in the high-brightness version, provide highly visible status indicators and a clear user guidance within the entire system. They can be assembled from varicolored LEDs and are available with or without beeper. You can mount them directly on machines, in the cabinet or in monitoring locations of production lines. The wiring diagram shows a PNP pin assignment. There are 5 colors available, blue (B), green (G), red (R), yellow (Y) and white (W), which specify the light sequence from bottom to top in the type code of the tower light. Example:

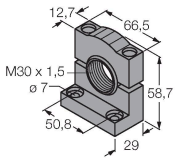
Technical data

TL50GYRQ, colors green, yellow and red arranged from bottom to top.

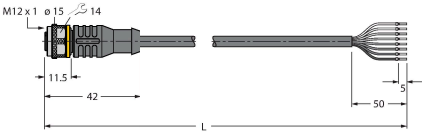
Housing material	Plastic, ABS, Black
Window material	Polycarbonate, diffuse
Electrical connection	Connector, M12 × 1, PVC
Number of cores	8
Ambient temperature	-40...+50 °C
Relative humidity	0...95 %
Protection class	IP67
Tests/approvals	
Approvals	CE, UL listed

Accessories

SMB30A	3032723	
		SMB30FA
<p>Mounting bracket, rectangular, stainless steel, for sensors with 30mm thread</p> 		<p>Montagewinkel; Werkstoff VA 1.4401</p> 

SMB30SC	3052521	
<p>Mounting bracket, PBT black, for sensors with 30 mm thread, rotatable</p> 		

Accessories

Dimension drawing	Type	ID	
	RKC8T-2/TEL	6625130	
		<p>Connection cable, M12 female connector, straight, 8-pin, cable length: 2 m, jacket material: PVC, black; cULus approval</p>	

Dimension drawing

Type

WKC8T-2/TEL

ID

6625133

Connection cable, M12 female connector, angled, 8-pin, cable length: 2 m, jacket material: PVC, black; cULus approval

