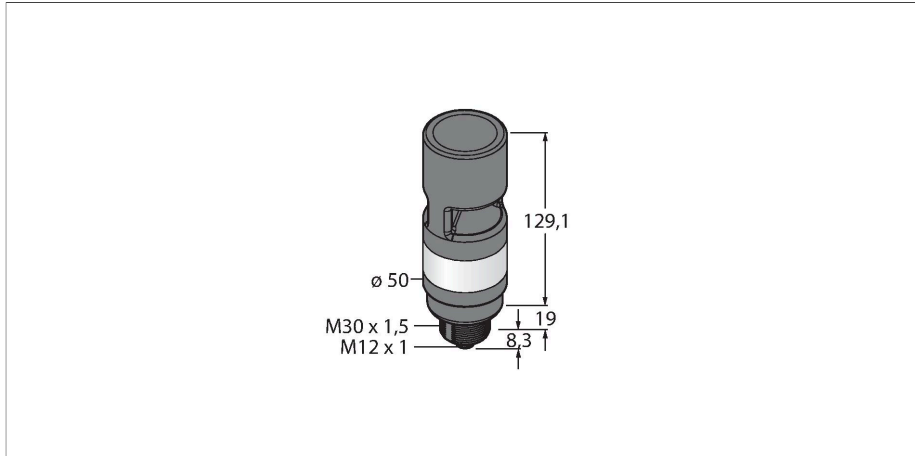


# TL50HRAOSQ

## LED Indicator – Tower Light



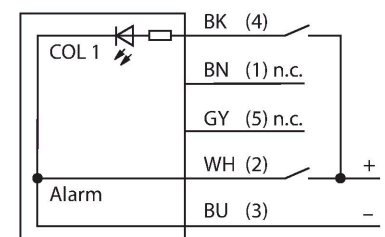
### Technical data

Type	TL50HRAOSQ
ID	3074598
<b>Signal and display data</b>	
Purpose	LED indicator light
Function	Tower light
Light type	Red
Dimmable	No
Features of color 1	Red, Permanently on, 32 lm
Acoustic signal	Continuous tone, 99 dB
<b>Electrical data</b>	
Operating voltage	18...30 VDC
DC rated operational current	≤ 100 mA
Operating voltage	21...27 VAC
Max. current consumption per color	100 mA
Max. current consumption of beeper	45 mA
Input type	Bipolar (PNP/NPN)
Response time typical	< 10 ms
<b>Mechanical data</b>	
Cascadable	No
Design	Smooth barrel, TL50
Dimensions	Ø 50 x 156.6 mm
Housing material	Plastic, ABS, Black
Window material	Polycarbonate, diffuse
Electrical connection	Connector, M12 × 1, PVC
Number of cores	4
Ambient temperature	-20...+50 °C
Relative humidity	0...95 %

### Features

- Plastic housing, black
- EMI and RFI immune
- Protection class IP67
- M12 x 1 male
- Monochrome: Red (COL 1)
- Operating voltage: 18...30 VDC or 24 VAC with 45 mA per LED color
- Inputs: PNP/NPN
- Beeper: Omnidirectional, sealed, continuous tone max. 99 dB

### Wiring diagram



### Functional principle

Monochrome multifunction acoustic warning  
 Rugged and well-priced LED tower, easy to install  
 Illuminated segments for clear operator guidance and display of system status  
 Displays up to 5 colors  
 Compact devices, no controller required  
 No mounting  
 The wiring diagram shows a PNP pin assignment

## Technical data

Protection class IP67

### Tests/approvals

Approvals CE, UL listed

## Accessories

Dimension drawing	Type	ID	
	RKC4.4T-2/TEL	6625013	Connection cable, M12 female connector, straight, 4-pin, cable length: 2 m, jacket material: PVC, black; cULus approval
	WKC4.4T-2/TEL	6625025	Connection cable, M12 female connector, angled, 4-pin, cable length: 2 m, jacket material: PVC, black; cULus approval