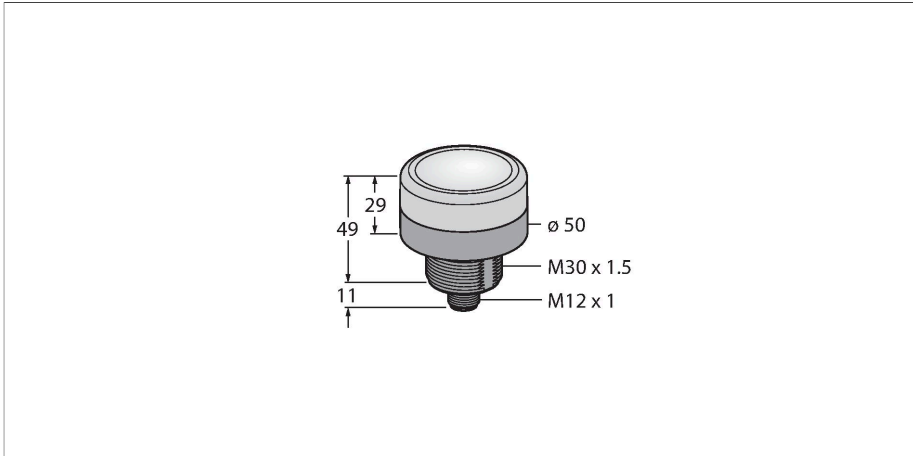


# K50BLR1XRX PQ

## LED Indicator – Beacon



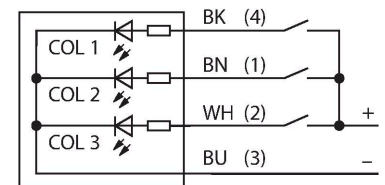
### Technical data

Type	K50BLR1XRX PQ
ID	3019774
<b>Signal and display data</b>	
Purpose	LED indicator light
Function	Spotlight
Light type	Red, rotating
LED service life (L70)	50000 h
Dimmable	No
Features of color 1	Red, Miscellaneous
Special features	Wash down
<b>Electrical data</b>	
Operating voltage	12...30 VDC
DC rated operational current	≤ 140 mA
Max. current consumption per color	140 mA
Input type	PNP
Response time typical	< 0.25 ms
<b>Mechanical data</b>	
Cascadable	No
Design	Puck, K50BL
Dimensions	Ø 50 x 60 mm
Housing material	Plastic, PC, Black
Window material	Polycarbonate, clear
Electrical connection	Connector, M12 × 1, PVC
Number of cores	5
Ambient temperature	-40...+50 °C
Relative humidity	0...90 %
Protection class	IP67

### Features

- Rotating LED
- Side view
- Two speeds
- Screw-in thread M30x1.5
- Protection class IP67
- Colors: Red rotating (COL 2)
- Male M12x1
- Operating voltage 12...30 VDC

### Wiring diagram



### Functional principle

The LED is IP67/ IP69k rated and suited for indoor and outdoor applications. The rotating and blinking K50 Beacon produces a very bright and all-round visible signal

## Technical data

IP69

### Tests/approvals

Approvals

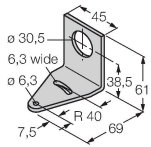
CE, cULus listed

## Accessories

SMB30A

3032723

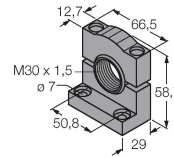
Mounting bracket, rectangular, stainless steel, for sensors with 30mm thread



SMB30SC

3052521

Mounting bracket, PBT black, for sensors with 30 mm thread, rotatable



## Accessories

Dimension drawing

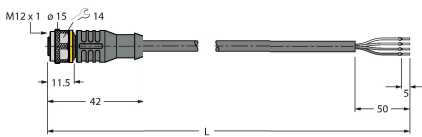
Type

ID

RKC4.4T-2/TEL

6625013

Connection cable, M12 female connector, straight, 4-pin, cable length: 2 m, jacket material: PVC, black; cULus approval



WKC4.4T-2/TEL

6625025

Connection cable, M12 female connector, angled, 4-pin, cable length: 2 m, jacket material: PVC, black; cULus approval

