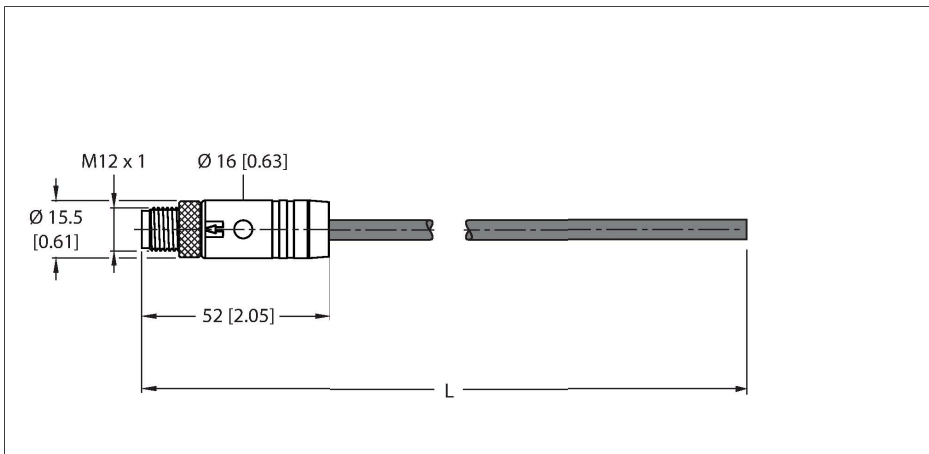


RSS46PTB-0.5/TXL

Supply Cable — M12 Power – Connection Cable



Technical data

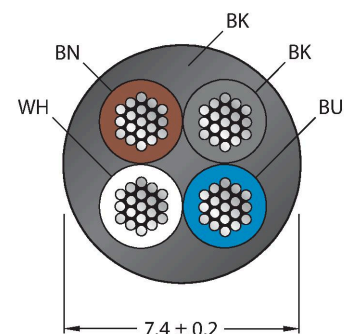
Type	RSS46PTB-0.5/TXL
ID	100031470
Connector A	Male, M12 × 1, Straight, T-coded
Number of Pins	4
Contacts	Copper-nickel, CuNi, Gold-plated
Contact carriers	Plastic, PBT GF, Black
Connector body	Plastic, TPE, Black
Coupling nut/screw	Brass, CuZn, Nickel-plated
Tightening torque (range)	0.5 ... 0.6 Nm (observe max. torque of mating connector!)
Mechanical lifespan	> 100 Mating cycles
Pollution degree	3
Protection class	IP65, IP67, IP69K, Only in screwed condition
Cable	
Cable diameter	Ø 7.4 mm ±0.20
Cable length	0.5 m
Cable jacket	PUR, Black
Core insulation	PP
Core cross-section	4 x 1.5 mm ²
Core colors	BN, WH, BU, BK
Electrical properties at +20 °C	
Rated voltage	50 V _{AC} /60 V _{DC}
Current	16 A
Mechanical and chemical properties	
Bending radius (stationary installation)	≥ 4 x Ø
Bending radius (flexible use)	≥ 7 x Ø

Features



- M12 male connector, T-coded, straight, 4-pin
- Jacket material: PUR
- Jacket color: black
- Highly resistant to oils, coolants, lubricants and emulsions
- Suitable for use in drag chains
- Resistant to vibrations and shocks
- Flame retardant
- Halogen-free
- RoHS compliant
- UL approval
- Protection class: IP65, IP67, IP69K
- Cable length: 0.5 m

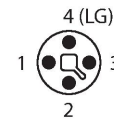
Cable Cross-Section



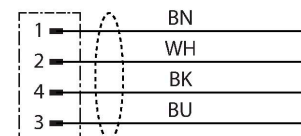
Contact assignment

Technical data

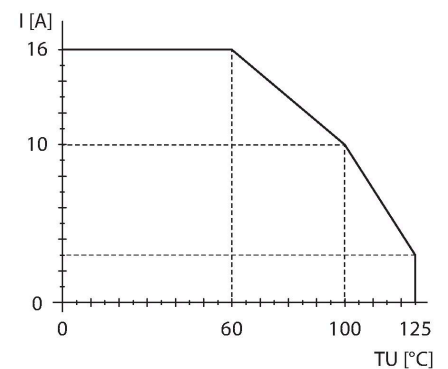
Bending cycles	≥ 10 million
Admissible acceleration	max. 5 m/s ²
Admissible travel path, horizontal	5 m (at 5 m/s ²)
Torsional stress	± 30 °/m
Ambient temperature range (stationary)	-40...+80 °C
Ambient temperature range (In motion)	-30...+80 °C
Ambient temperature during drag chain operation	-20...+60 °C
Qualified for drag chain use	yes
Halogen-free	yes
Oil-resistant	yes
Flame-retardant	yes
Approvals	cULus



Circuit Diagram



Derating Curve



Accessories

Dimension drawing	Type	ID	Description
	LABEL-HOLDER-FLEX-PVC	100048170	PVC label holder for identification of extension cables (TEL/TXL product series); for cable diameters: min. 5 mm; dimensions 4 × 18 mm; delivery unit: 50 pcs. per package
	VH2-M12T-M4-2F4	100028589	Small h-splitter, M12 Power, T-coded, 4-pin
	FW-ERKPM0414-PT-S-0810	100026334	Field-wireable female connector, M12 Power, T-coded, straight, 4-pin, screw terminal connection, cable feedthrough 8.0 to 10 mm, core cross-section/terminal capacity 1.5 to 2.5 mm ² , plastic housing, metal retaining screw
	VH3-M12T-M4-3F4	100028593	Large H-splitter, M12 Power, T-coded, 4-pin
	VT2-M12T-M4-2F4	100028581	T-splitter, M12 Power, T-coded, 4-pin