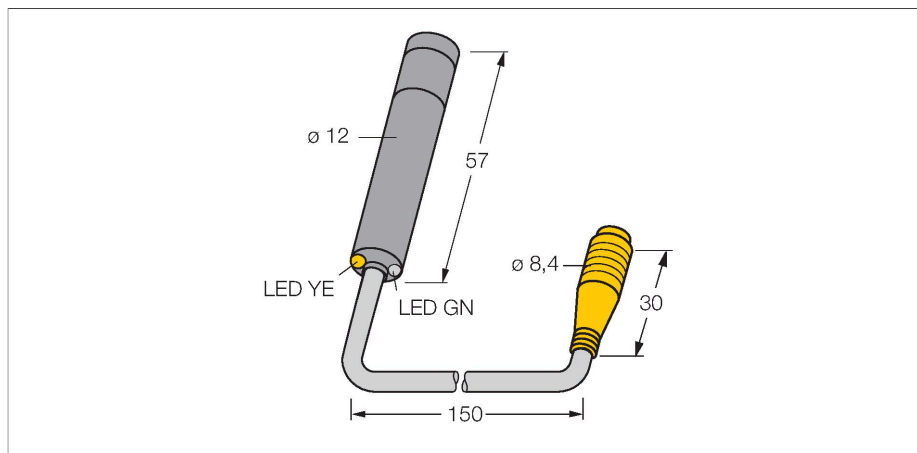


M126E2LDQ

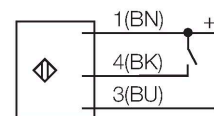
Photoelectric Sensor – Opposed Mode Sensor (Laser Emitter)



Features

- Cable with male end, 4-pin, PVC, 150 mm, 8 mm
- Protection class IP67
- Aluminum housing
- LED all-round visible
- Laser class 2
- Operating voltage: 10...30 VDC

Wiring diagram



Technical data

Type	M126E2LDQ
ID no.	3053801
Optical data	
Function	Opposed mode sensor
Operating mode	Laser Emitter
Light type	Red
Wavelength	650 nm
Laser class	▲ 2
Beam diameter	3 mm
Range	30000 mm
Electrical data	
Operating voltage	10...30 VDC
No-load current	≤ 30 mA
Reverse polarity protection	yes
Readiness delay	≤ 30 ms
Mechanical data	
Design	Smooth barrel, M12
Dimensions	Ø 12 x 57 mm
Housing material	Metal, AL, Black
Lens	plastic, Acrylic
Electrical connection	Cable with connector, M8 × 1, 0.15 m, PVC
Number of cores	3
Ambient temperature	-20...+60 °C
Protection class	IP67
Special features	Laser
Power-on indication	LED, Green

Functional principle

Opposed mode sensors consist of an emitter and receiver. They are installed opposite each other so that the light from the emitter is aimed directly at the receiver. When an object interrupts or weakens the light beam, the sensor switches. Opposed mode sensors are the most reliable photoelectric sensors for detection of opaque targets. An excellent contrast between light and dark conditions and an extremely high excess gain are typical of this sensing mode, thus allowing operation over larger distances and under difficult conditions.

Technical data

Excess gain indication	LED
Display release	LED, yellow

Tests/approvals