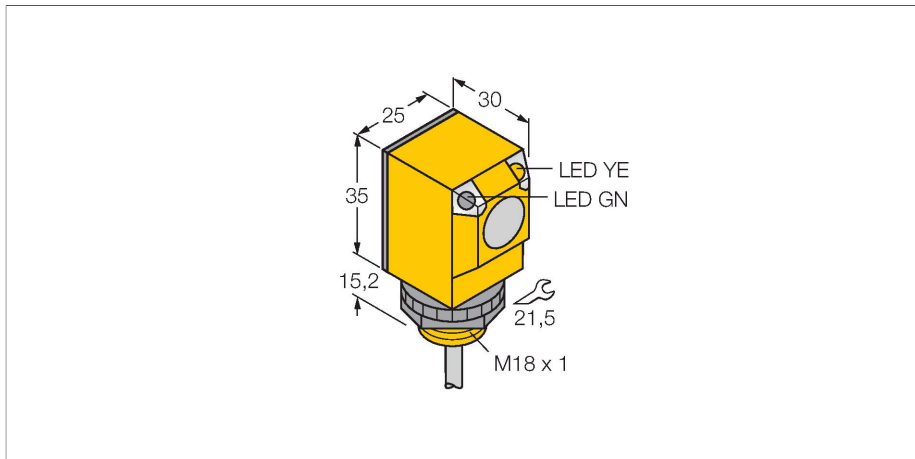


# Q25AW3LP

## Photoelectric Sensor – Retroreflective Sensor with Polarizing Filter



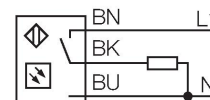
### Technical data

Type	Q25AW3LP
ID no.	3031964
<b>Optical data</b>	
Function	Retroreflective Sensor
Operating mode	Polarized
Reflector included in delivery	no
Light type	Red polarized
Wavelength	680 nm
Range	50...2000 mm
<b>Electrical data</b>	
Operating voltage	20...250 VAC
AC rated operational current	≤ 200 mA
Output function	Light operation, Relay output
Switching frequency	≤ 40 Hz
Readiness delay	≤ 100 ms
Response time typical	< 16 ms
<b>Mechanical data</b>	
Design	Rectangular, Q25
Dimensions	Ø 18 x 30 x 25 x 50.2 mm
Housing material	Plastic, Thermoplastic material
Lens	plastic, Acrylic
Electrical connection	Cable, 2 m, PVC
Number of cores	3
Core cross-section	0.5 mm <sup>2</sup>
Ambient temperature	-40...+70 °C
Protection class	IP69

### Features

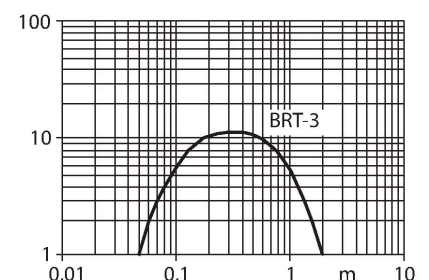
- Cable, 2 m
- Protection class IP67
- Ambient temperature: -40...+70 °C
- Selectable light/dark operation or light operation with alarm function

### Wiring diagram



### Functional principle

Retro-reflective sensors incorporate emitter and receiver in a single compact housing. The light beam of the emitter is directed towards a reflector which returns the light back to the receiver. An object is detected when it interrupts this beam. Retro-reflective sensors have a high function gain and good contrast performance. Further it is merely required to install and wire a single device. Excess gain curve  
Excess gain in relation to the distance

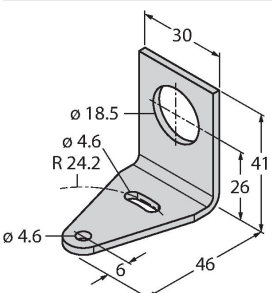


## Technical data

Special features	Chemical-resistant Encapsulated Wash down
Power-on indication	LED, Green
Switching state	LED, Yellow
Excess gain indication	LED
<b>Tests/approvals</b>	
Approvals	CE, UL, CSA

## Accessories

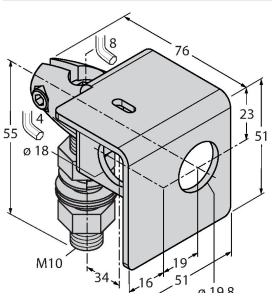
**SMB18A** 3033200



Mounting bracket, rectangular, stainless steel, for sensors with 18 mm thread

Technical drawing details: 30, 41, 26, 46, 6, 18.5, 4.6, R24.2, 4.6.

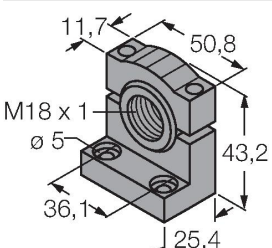
**SMB18AFAM10** 3012558



Mounting bracket, material VA 1.4401, for M10 x 1.5 thread, thread length 18 mm

Technical drawing details: 76, 23, 51, 19, 16, 34, 18, 19.8, 4, 55, M10.

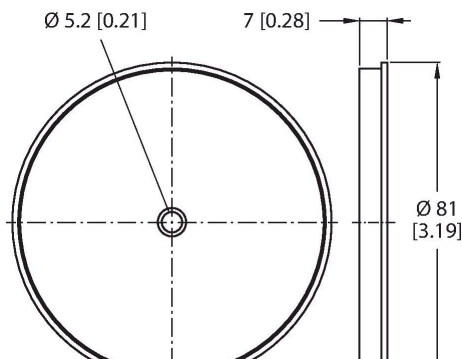
**SMB18SF** 3052519



Mounting bracket, PBT black, for sensors with 18 mm thread, rotatable

Technical drawing details: 11.7, 50.8, 43.2, 25.4, 36.1, 5, M18 x 1.

## Accessories

Dimension drawing	Type	ID no.	
 <p>Technical drawing details: Ø 5.2 [0.21], 7 [0.28], Ø 81 [3.19].</p>	BRT-3	3016164	Round reflector, reflection coefficient 1.0, material acrylic, ambient temperature -20...+60 °C