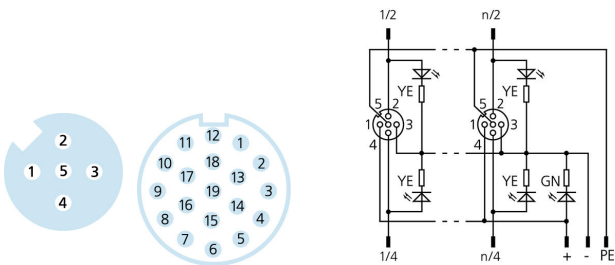
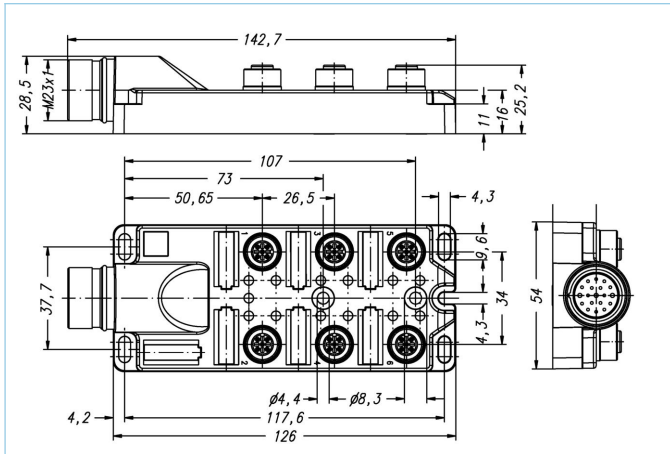


I/O-junctions passive, 6 ports, front contact, M12, female, 4+PE, M23, male, 19 poles



**Product data**

Item description	6I/OM12-5P3F
Item-No.	8045892
Customs tariff-No.	85366990
Step-File	6I_OM12-5P3F.stp
EAN	4047106004453
Remark	Labels (white) not included

**Technical data**

I/O-junction	6-way, M23, with connecting plug
I/O-slot	female, M12
Number of pins	4+PE
Coding	A
Rated voltage	30V
Current load per pin (at 40°C)	2A
Total current load	12A
Insulation resistance	≥10 <sup>9</sup> Ω
Resistance	≤ 5mΩ
Ambient temperature product	-30°C...+90°C
Number of LEDs	13
Number of I/O-slots	6
Circuit logic	pnp
Signal status-indicator	LED YE
Operating voltage-indicator	LED GN
Contact material	Metal, CuZn, gold-plated
Contact-carrier material	Plastic, PA, BK
Sealing (female) material	FPM/FKM
Housing material	Plastic, PA, BK

Thread insert material	Metal, CuZn
Connecting type	Front
Standards	IEC 61076-2-101
Degree of protection (mounted)	IP65, IP67
Mechanical life-cycle	>100 mating cycles
Connecting plug	M23, 19 poles
Sealing material, connecting-plug	Plastic, FPM/FKM
Receptacle housing material, connecting-plug	Metal, CuZn, nickel-plated
Contact material, connecting-plug	Metal, CuZn, gold-plated
Contact-carrier material, connecting-plug	Plastic, PA, BK
Mechanical life-cycle, connecting-plug	>100 mating cycles
Number of pins, connecting-plug	19
Degree of protection, connecting-plug (mounted)	IP65, IP67
Degree of pollution	3

#### Allocation chart

I/O	1		2		3		4		5		6		all (+)	all (-)	all (FE)
	2	4	2	4	2	4	2	4	2	4	2	4			
Pin	2	4	2	4	2	4	2	4	2	4	2	4	1	3	5
M23	7	15	4	5	8	16	14	3	9	17	13	2	19	6	12
Cable (19.003) Accessories	GYPK	WH	RDBU	GN	WHGN	YE	BNGN	GY	WHYE	BK	YEBN	RD	BN	BU	GNYE

#### Classification

eCl@ss 6.0	27279219
eCl@ss 7.0	27279219
eCl@ss 8.0	27279219
eCl@ss 9.0	27440108
ETIM 5.0	EC002585
ETIM 6.0	EC002585

#### Accessories

Screw plug, M12 <a href="https://www.escha.net/en/products/standard/accessories-for-connectivity/8081767">https://www.escha.net/en/products/standard/accessories-for-connectivity/8081767</a>
Labels, I/O-junction passive, I/O-junction active <a href="https://www.escha.net/en/products/standard/accessories-for-connectivity/8015002">https://www.escha.net/en/products/standard/accessories-for-connectivity/8015002</a>
Single-ended cordset, M23 <a href="https://www.escha.net/en/products/standard/sensoractuator-connectors/8017221">https://www.escha.net/en/products/standard/sensoractuator-connectors/8017221</a>
Single-ended cordset, M23 <a href="https://www.escha.net/en/products/standard/sensoractuator-connectors/8017111">https://www.escha.net/en/products/standard/sensoractuator-connectors/8017111</a>
Field-wireable connector, M23, Soldering contact <a href="https://www.escha.net/en/products/standard/field-wireable-connectors/8013696">https://www.escha.net/en/products/standard/field-wireable-connectors/8013696</a>
Field-wireable connector, M23, Soldering contact
Accessories set, I/O-junction passive, M12 <a href="https://www.escha.net/en/products/standard/accessories-for-connectivity/8087215">https://www.escha.net/en/products/standard/accessories-for-connectivity/8087215</a>

#### Link to product

<a href="https://www.escha.net/en/products/standard/i-o-junctions/8045892">https://www.escha.net/en/products/standard/i-o-junctions/8045892</a>
---