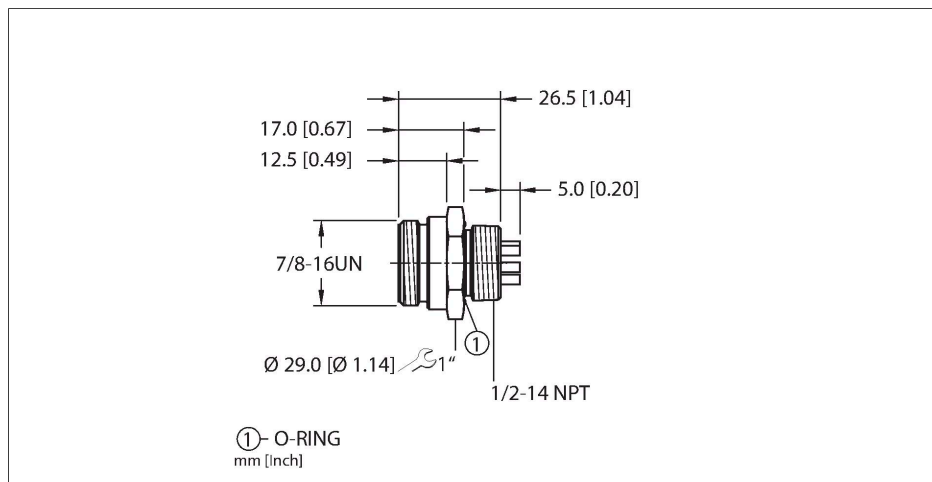


# RSF 57

## DeviceNet, 7/8" Male Receptacle – Front-Mounted



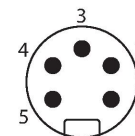
### Features



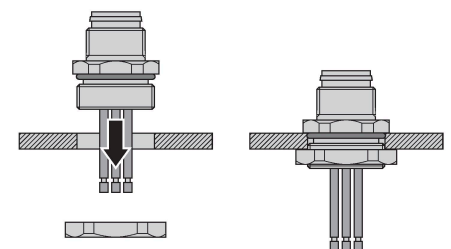
- 7/8" minifast female receptacle
- Screw-in thread: 1/2"-14 NPT

### Contact assignment

Connector A



### Front panel mounting



### Technical data

Type	RSF 57
ID	U5220-0
Connector A	Male, 7/8"-16 UN
Number of Pins	5
Contacts	Brass, CuZn, Gold-plated
Contact carriers	Plastic, TPU, Blue
Flange housing	Brass, CuZn, Nickel-plated
Tightening torque (range)	3.5 ... 10.2 Nm (observe max. torque of mating connector!)
Mounting type	front panel mounting
Screw-in thread seal	O-ring, plastic, NBR
Screw-in thread	1/2"-14 NPSM
Flange tightening torque	3.5...10.2 Nm
Connection mode	Solder contact
Mechanical lifespan	> 100 Mating cycles
Pollution degree	3
Protection class	IP67, IP68, IP69, IP69K NEMA: 1, 3, 4, 6P, 12
Network protocol	DeviceNet
Number of cores	5
Electrical properties at +20 °C	
Rated voltage	300 V
Current	9 A
Mechanical and chemical properties	
Ambient temperature range (stationary)	-40...+80 °C
Approvals	CSA C22.2 No. 182.3 CE

## Technical data

RoHS  
UL Listed  
UL 2238

---

### Note

- We reserve the right to make technical modifications without prior notice.

---