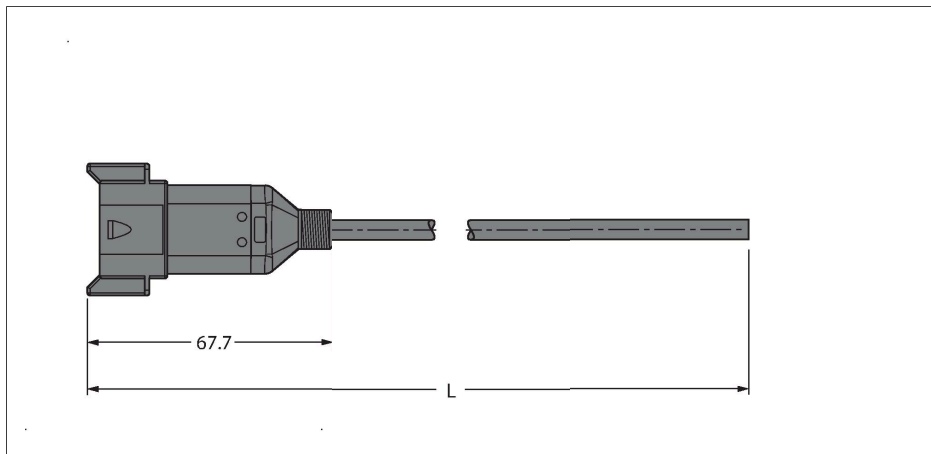


DT04-8PG-A-10/TXL

Deutsch Connector – Connection Cable



Features

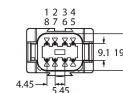


- Deutsch connector DT04, straight, 8-pin
- With M12 × 1 thread for thermowell
- Jacket material: TPE-U (PUR)
- Jacket color: black, similar to RAL 7021
- Suitable for drag chain use
- Flame retardant
- Halogen free acc. to DIN VDE 0472 part 815
- RoHS compliant
- Protection classes IP67 and IP69K
- Cable length: 10 m

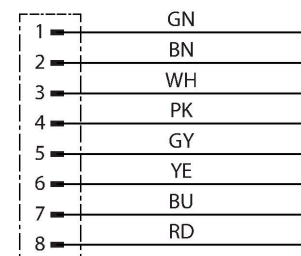
Contact assignment

Technical data

| | |
|-------------------------------------------|----------------------------------------|
| Type | DT04-8PG-A-10/TXL |
| ID | 100000474 |
| Connector A | Male, Deutsch DT, Straight |
| Number of Pins | 8 |
| Contacts | Brass, CuZn, Nickel-plated |
| Contact carriers | Plastic, Thermoplast, Yellow |
| Connector body | Plastic, TPU, UL 94, Black |
| Coupling nut/screw | Nickel-plated |
| Seal | Plastic, Silicone |
| Mechanical lifespan | > 100 Mating cycles |
| Protection class | IP67, IP69K, (plugged) |
| Cable | |
| Cable diameter | Ø 8 mm ±0.25 |
| Cable length | 10 m |
| Cable jacket | PUR, Black |
| Core insulation | PP |
| Core cross-section | 8 x 0.75 mm ² |
| Arrangement of strands | 42 x 0.15 mm |
| Core colors | BN, GN, YE, GY, PK, BU, RD, WH |
| Electrical properties at +20 °C | |
| Rated voltage | 48 V _{AC} /60 V _{DC} |
| Test voltage | 3000 V |
| Current | 6 A |
| Mechanical and chemical properties | |
| Bending radius (flexible use) | ≥ 12 x Ø |
| Bending cycles | ≥ 2 million |
| Admissible acceleration | max. 10 m/s ² |



Circuit Diagram



Technical data

| | |
|----------------------------------------|--------------|
| Admissible traversing speed | 1.67 m/s |
| Ambient temperature range (stationary) | -40...+80 °C |
| Ambient temperature range (In motion) | -25...+80 °C |