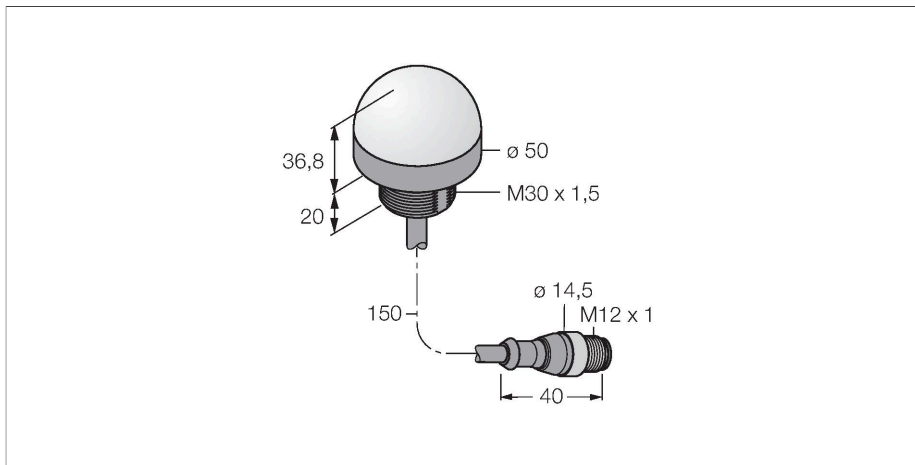


K50LNBXXPQP

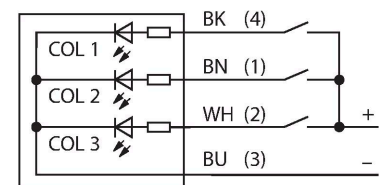
LED Indicator – Beacon



Features

- All-round LED display
- ATEX category II 3 G, Ex zone 2
- ATEX category II 3 D, Ex zone 22
- Individually controllable
- Mechanical screw-in thread M30 x 1.5
- Protection classes IP67 / IP69K
- Monochrome: Blue (COL 1)
- Cable with male end M12 x 1
- Operating voltage 10...30 VDC
- It is envisaged to control always only one color with the appropriate equipment
- ATEX II 3 G approval
- Gases and vapors, Group IIC, Zone 2
- ATEX II 3 D approval
- Dust, Group IIIC, Zone 22
- When used in hazardous areas, the special conditions of the approval must be observed

Wiring diagram



Technical data

Type	K50LNBXXPQP
ID	3087288
Signal and display data	
Purpose	LED indicator light
Function	Spotlight
Light type	Blue
LED service life (L70)	50000 h
Dimmable	No
Features of color 1	Blue, Permanently on
Special features	Wash down
Electrical data	
Operating voltage	10...30 VDC
DC rated operational current	≤ 40 mA
Max. current consumption per color	25 mA
Input type	PNP
Response time typical	< 1 ms
Mechanical data	
Cascadable	No
Design	Dome, K50L
Dimensions	Ø 50 x 69 mm
Housing material	Plastic, PC, Black
Window material	Polycarbonate, diffuse
Electrical connection	Cable with connector, M12 x 1, 0.15 m, PVC
Number of cores	4
Ambient temperature	-40...+50 °C
Relative humidity	0...95 %

