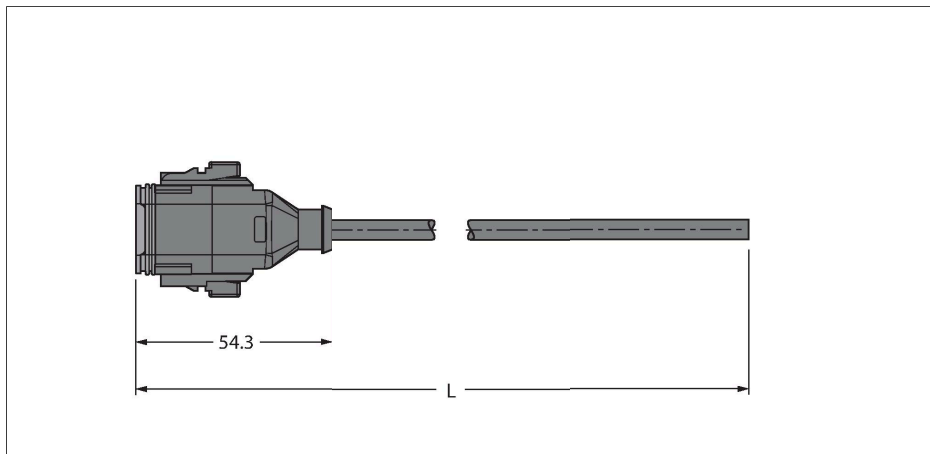


# DT06-8S-A-25/TXL

## Deutsch Connector – Connection Cable



### Features

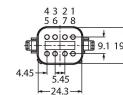


- Deutsch connector DT06, straight, 8-pin
- Jacket material: TPE-U (PUR)
- Jacket color: black, similar to RAL 7021
- Suitable for drag chain use
- Flame retardant
- Halogen free acc. to DIN VDE 0472 part 815
- RoHS compliant
- Protection classes IP67 and IP69K
- Cable length: 25 m

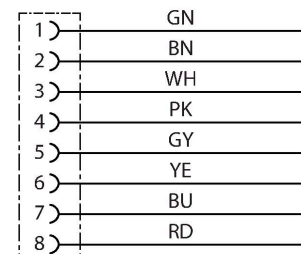
### Contact assignment

### Technical data

|   |  |
|---|--|
| Type                                      | DT06-8S-A-25/TXL                       |
| ID  | 100038087                              |
| Connector A                               | Female, Deutsch DT, Straight           |
| Number of Pins                            | 8                                      |
| Contacts                                  | Brass, CuZn, Nickel-plated             |
| Contact carriers                          | Plastic, Thermoplast, Green            |
| Connector body                            | Plastic, TPU, UL 94, Black             |
| Seal                                      | Plastic, Silicone                      |
| Mechanical lifespan                       | > 100 Mating cycles                    |
| Protection class                          | IP67, IP69K, (plugged)                 |
| <b>Cable</b>                              |  |
| Cable diameter                            | Ø 8 mm ±0.25                           |
| Cable length                              | 25 m                                   |
| Cable jacket                              | PUR, Black                             |
| Core insulation                           | PP                                     |
| Core cross-section                        | 8 x 0.75 mm <sup>2</sup>               |
| Arrangement of strands                    | 42 x 0.15 mm                           |
| Core colors                               | BN, GN, YE, GY, PK, BU, RD, WH         |
| <b>Electrical properties at +20 °C</b>    |  |
| Rated voltage                             | 48 V <sub>AC</sub> /60 V <sub>DC</sub> |
| Test voltage                              | 3000 V                                 |
| Current                                   | 6 A                                    |
| <b>Mechanical and chemical properties</b> |  |
| Bending radius (flexible use)             | ≥ 12 x Ø                               |
| Bending cycles                            | ≥ 2 million                            |
| Admissible acceleration                   | max. 10 m/s <sup>2</sup>               |
| Admissible traversing speed               | 1.67 m/s                               |



### Circuit Diagram



## Technical data

|  |              |
|--|--------------|
| Ambient temperature range (stationary) | -40...+80 °C |
|--|--------------|

---

|                                       |              |
|---------------------------------------|--------------|
| Ambient temperature range (In motion) | -25...+80 °C |
|---------------------------------------|--------------|

---