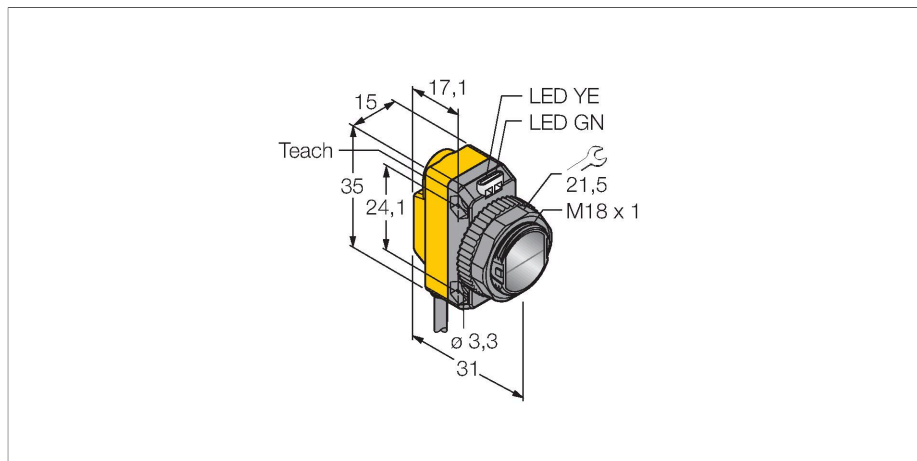


QS18EK6XLPC

Photoelectric Sensor – Retroreflective Sensor with Polarizing Filter for Clear Object Detection



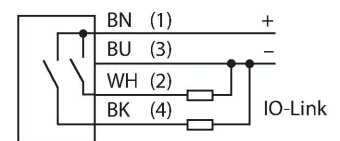
Technical data

Type	QS18EK6XLPC
ID no.	3801741
Optical data	
Function	Retroreflective Sensor
Operating mode	Polarized (coaxial)
Reflector included in delivery	no
Light type	Red polarized
Wavelength	625 nm
Range	50...3000 mm
Electrical data	
Operating voltage	10...30 VDC
DC rated operational current	≤ 100 mA
No-load current	≤ 35 mA
Reverse polarity protection	yes
Communication protocol	IO-Link
Output function	NO/NC, PNP/NPN
Switching frequency	≤ 833 Hz
Readiness delay	≤ 100 ms
Response time typical	< 0.4 ms
Setting option	Push Button Remote Teach
IO-Link	
IO-Link specification	V 1.1
IO-Link port type	Class A
Communication mode	COM 2 (38.4 kBaud)
Process data width	16 bit

Features

- Cable, PVC, 2 m, 4-wire
- Protection class IP67
- LED, all-round visible
- Coaxial optics
- Sensitivity adjusted via teach button
- Operating voltage: 10...30 VDC
- 1 × PNP/NPN switching output with IO-Link communication
- 1 × PNP/NPN switching output
- Transmission of process value and parametrization via IO-link

Wiring diagram



Functional principle

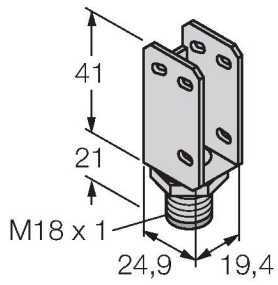
Retroreflective sensors have emitter and receiver incorporated in the same housing. The light beam of the emitter is directed towards a reflector which returns the light back to the receiver. A target is captured when it interrupts this beam. This device is sensitive enough to detect clear film, glass bottles and other transparent objects. The blind zone is reduced through the coaxial optics. The built-in polarizing filter also provides for the detection of high-gloss objects. With the help of three different limit values it is possible it can react to objects that differ in their transparency. The devices are self-regulating to reduce influences by dirt and dust.

Excess gain curve

SMBQS18A

3069721

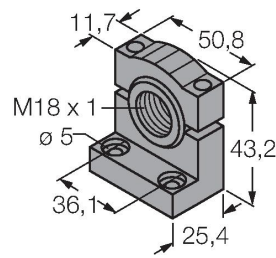
Mounting bracket, stainless steel, for 18 mm thread



SMB18SF

3052519

Mounting bracket, PBT black, for sensors with 18 mm thread, rotatable

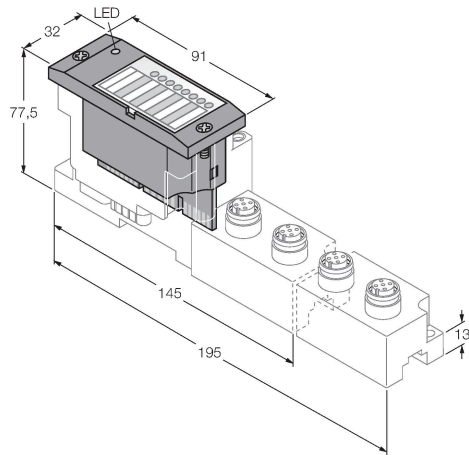


Accessories

Dimension drawing

Type

ID no.



BL67-4IOL

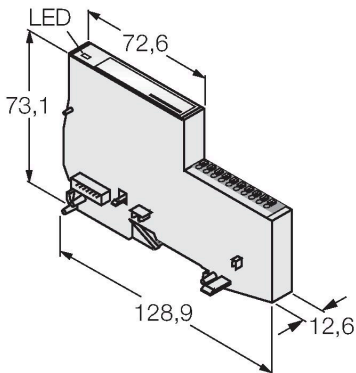
6827386

4-channel IO-Link Master module for the modular BL67 I/O-system

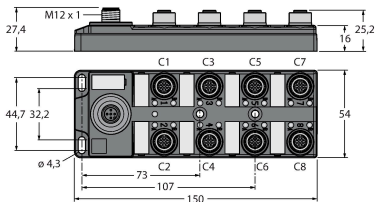
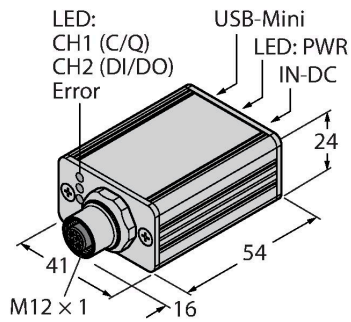
BL20-E-4IOL

6827385

IO-Link master module for the modular BL20 I/O system, 4-channel



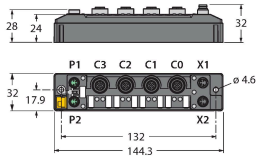
Dimension drawing	Type	ID no.	
	USB-2-IOL-0002	6825482	IO-Link Master with integrated USB port



TBIL-M1-16DXP

6814102

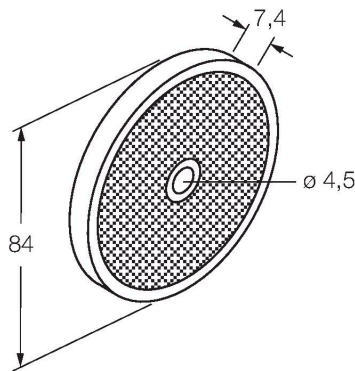
16-channel I/O-hub for the connection of 16 digital PNP signals to an IO-Link master (input/output freely selectable per channel)



TBEN-S2-4IOL

6814024

Compact multiprotocol I/O module, 4 IO-Link Master 1.1 Class A, 4 universal PNP digital channels 0.5 A



BRT-84

3058979

Round reflector, reflection coefficient 1.4, material acrylic, ambient temperature -20 ... +60 °C