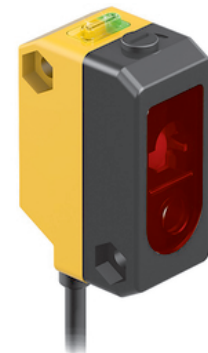
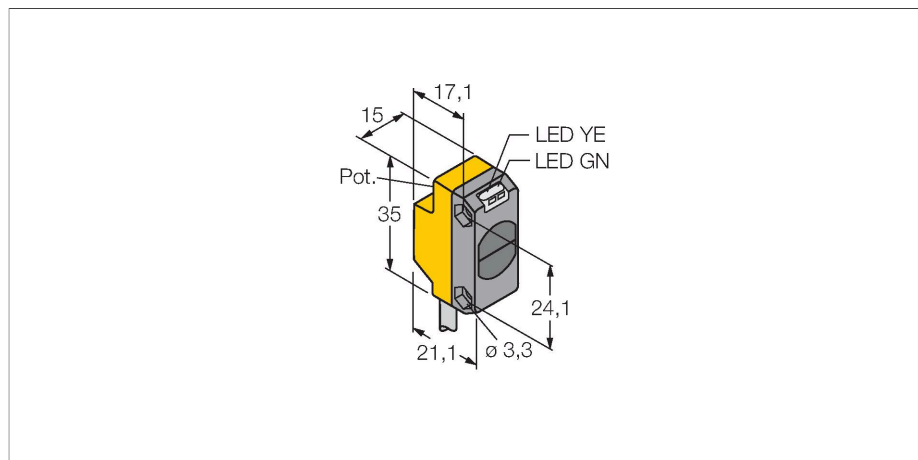


QS18VP6DB W/30

Photoelectric Sensor – Diffuse Mode Sensor



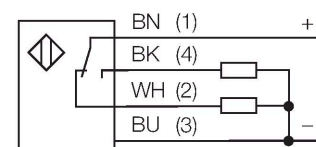
Technical data

| | |
|------------------------------|------------------------|
| Type | QS18VP6DB W/30 |
| ID no. | 3061668 |
| Optical data | |
| Function | Proximity switch |
| Operating mode | Diffuse |
| Light type | IR |
| Wavelength | 940 nm |
| Range | 0...450 mm |
| Electrical data | |
| Operating voltage | 10...30 VDC |
| Residual ripple | < 10 % U _{ss} |
| DC rated operational current | ≤ 100 mA |
| Short-circuit protection | yes |
| Reverse polarity protection | yes |
| Output function | NO/NC, PNP |
| Current output | 100 mA |
| Switching frequency | ≤ 800 Hz |
| Readiness delay | ≤ 100 ms |
| Response time typical | < 0.6 ms |
| Setting option | Potentiometer |
| Mechanical data | |
| Design | Rectangular, QS18 |
| Dimensions | 21.1 x 15 x 35 mm |
| Housing material | Plastic, ABS |
| Lens | plastic, Acrylic |
| Electrical connection | Cable, 9 m, PVC |
| Number of cores | 4 |

Features

- Cable, PVC, 2 m
- Protection class IP67
- LED all-round visible
- Sensitivity adjusted via potentiometer
- Operating voltage: 10...30 VDC
- PNP switching output, changeover

Wiring diagram



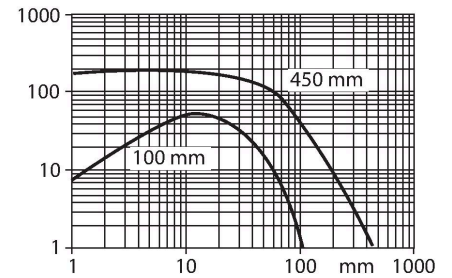
Functional principle

Identical to retro-reflective sensors, emitter and receiver circuitry are incorporated in the same housing of the diffuse mode sensors. However, diffuse mode sensors do not detect the interruption of the light beam but the reflection of the target. A target is detected if it reflects sufficient light back to the receiver. The switching distance of diffuse mode sensors thus largely depends on the reflectivity of the target.

Excess gain curve
Excess gain in relation to the distance

Technical data

| | |
|------------------------|-----------------------|
| Core cross-section | 0.35 mm ² |
| Ambient temperature | -20...+70 °C |
| Protection class | IP67 |
| Power-on indication | LED, Green |
| Switching state | LED, Yellow |
| Error indication | LED, green, Flashing |
| Excess gain indication | LED, yellow, flashing |
| Tests/approvals | |
| Approvals | CE, cURus |



Accessories

