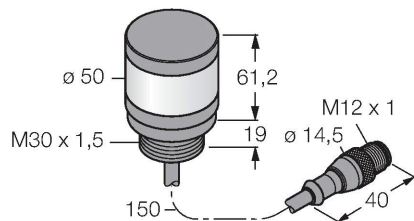


TL50BAQP

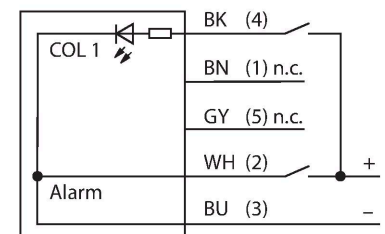
LED Indicator – Tower Light



Features

- Black plastic housing
- EMI and RFI immune
- Protection class IP67
- Cable with male end M12 x 1, 150 mm
- Monochrome: Blue (COL 1)
- Operating voltage: 18...30 VDC or 24 VAC with 45 mA per LED color
- Inputs: PNP/NPN
- Beeper max. 92 dB

Wiring diagram



Functional principle

Monochrome multifunction signaller
 Rugged and well-priced LED tower, easy to install
 Illuminated segments for clear operator guidance and display of system status
 Display of up to 5 colors
 Compact devices, no controller required
 No mounting
 The wiring diagram shows a PNP pin assignment

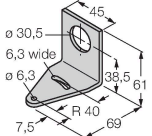
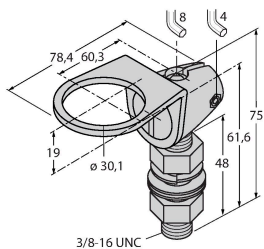
Technical data

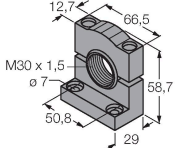
Type	TL50BAQP
ID	3013401
Signal and display data	
Purpose	LED indicator light
Function	Tower light
Light type	Blue
Dimmable	No
Features of color 1	Blue, Permanently on, 4.5 lm
Acoustic signal	Continuous tone, 92 dB
Electrical data	
Operating voltage	18...30 VDC
DC rated operational current	≤ 45 mA
Operating voltage	21...27 VAC
AC rated operational current	≤ 45 mA
Max. current consumption per color	45 mA
Max. current consumption of beeper	25 mA
Input type	Bipolar (PNP/NPN)
Response time typical	< 10 ms
Mechanical data	
Cascadable	No
Design	Smooth barrel, TL50
Dimensions	Ø 50 x 111 mm
Housing material	Plastic, ABS, Black
Window material	Polycarbonate, diffuse
Electrical connection	Cable with connector, M12 x 1, 0.15 m, PVC
Number of cores	4

Technical data


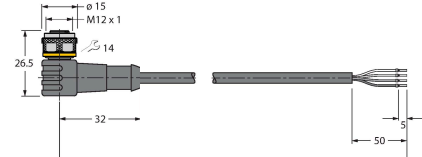
Ambient temperature	-20...+50 °C
Relative humidity	0...95 %
Protection class	IP50
Tests/approvals	
Approvals	CE, UL listed

Accessories

SMB30A	3032723	SMB30FA	3074005
	Mounting bracket, rectangular, stainless steel, for sensors with 30mm thread		Montagewinkel; Werkstoff VA 1.4401

SMB30SC	3052521
	Mounting bracket, PBT black, for sensors with 30 mm thread, rotatable

Accessories

Dimension drawing	Type	ID	
	RKC4.4T-2/TEL	6625013	Connection cable, M12 female connector, straight, 4-pin, cable length: 2 m, jacket material: PVC, black; cULus approval
	WKC4.4T-2/TEL	6625025	Connection cable, M12 female connector, angled, 4-pin, cable length: 2 m, jacket material: PVC, black; cULus approval