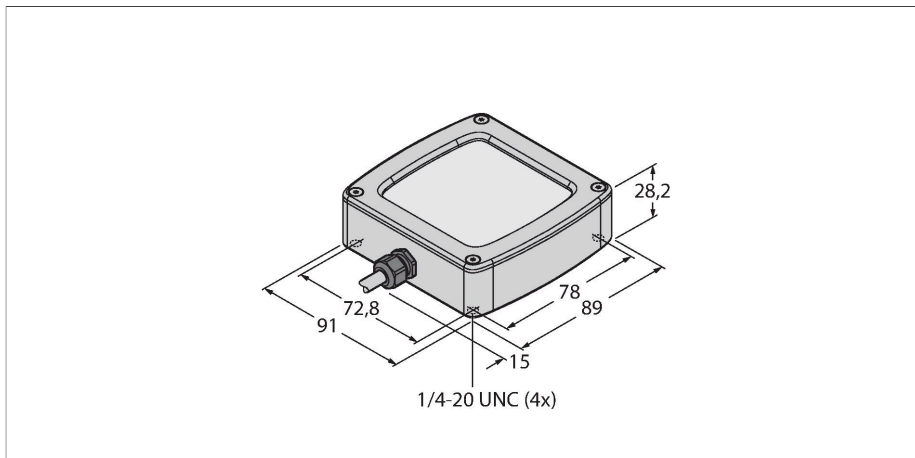


# WLC90WL8 Work Light



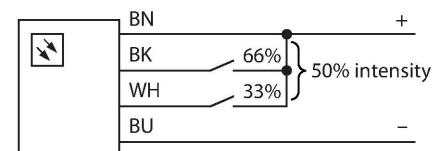
## Technical data

Type	WLC90WL8
ID	3086524
<b>Signal and display data</b>	
Purpose	LED work light
Function	Area light
Light type	White
Color temperature	6000...+7100 K
Luminous flux lumen	700 lm
Aperture angle degree	8 °
Beam angle	8°
LED service life (L70)	50000 h
Dimmable	Two-stage
Features of color 1	White, Permanently on, 700 lm
Special features	Chemical-resistant Wash down Resistant to chemicals
<b>Electrical data</b>	
Operating voltage	12...30 VDC
DC rated operational current	≤ 850 mA
Input power	10.2 W
<b>Mechanical data</b>	
Cascadable	No
Design	Rectangular, WLC90
Dimensions	91 x 103.7 x 28.2 mm
Housing material	Metal, AL
Window material	Polycarbonate, clear
Electrical connection	Cable, 2 m, PVC

## Features

- Operating voltage: 12...30 VDC
- Protection class IP67/IP69K
- Ambient temperature: -40 °C...+70 °C
- Window material: Polycarbonate
- Opening angle: 8°
- Mounted via 4 × 1/4"-20 UNC screws
- Color: White
- Internal temperature regulation
- Cable, 2 m, 4-pin, side outlet

## Wiring diagram



## Functional principle

The energy-efficient LED work lights are ideally suited for industrial applications. The color temperature lies in the range of daylight, between 6,000 and 7,100 Kelvin. The flux is 700 lumen. The device is immediately operational upon application of power (10...30 VDC).  
Luminous flux  
The work lights are available with 8°, 15° and 30° aperture angle.

## Technical data

Number of cores	4
Ambient temperature	-40...+70 °C
Storage temperature	-40...+70 °C
Protection class	IP67 IP68 IP68
<b>Tests/approvals</b>	
Approvals	CE, UL

## Accessories

<b>SMBAMS70AS</b>	<b>3012127</b>	<b>LMBWLC90PT</b>	<b>3086466</b>
	Mounting bracket, right-angled, stainless steel, for WLC90 work lights, screw kit included		Mounting bracket, right-angled, stainless steel, two-part, two-way rotation, for WLC90 work lights, screw kit included

## Accessories

<b>Dimension drawing</b>	<b>Type</b>	<b>ID</b>	
	RKH4.5-2/TFG	6933455	Connection cable, M12 female connector, straight, 5-pin, stainless steel coupling nut, cable length: 2 m, jacket material: TPE, gray; temperature range: -40...+105 °C

