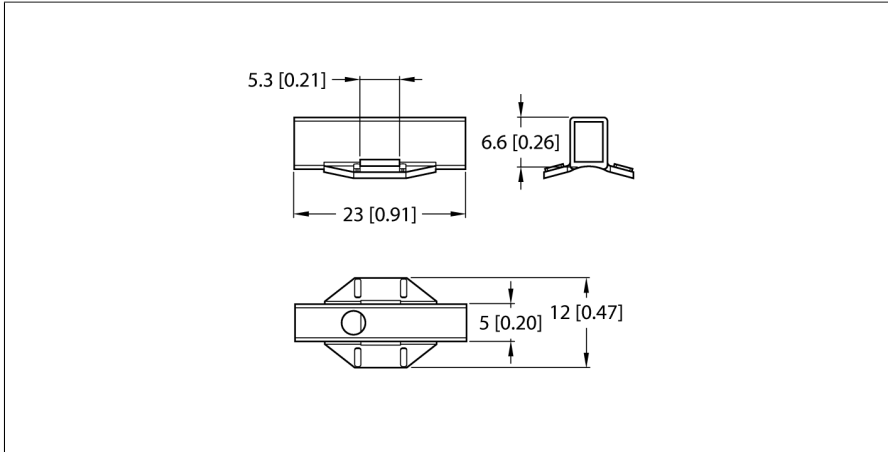


Accessories

Mounting Bracket

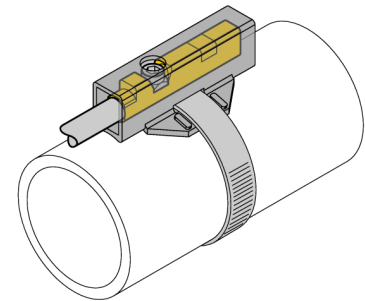
For Round Cylinders

KLR2-UNR



Type	KLR2-UNR
ID	100000596
Design	Accessories
Dimensions	23 x 12 x 6.6 mm
Housing material	Plastic, Trogamit

- Mounting on round cylinders
- For various cylinder diameters
- Plastic: Trogamit



Accessories

Type code	Ident no.		Dimension drawing
ASB-4	6965104	Clip collar for mounting brackets for magnetic field sensors on round cylinders; cylinder diameter: 28...39 mm; other lengths are available under designations ASB-1 to ASB-9	