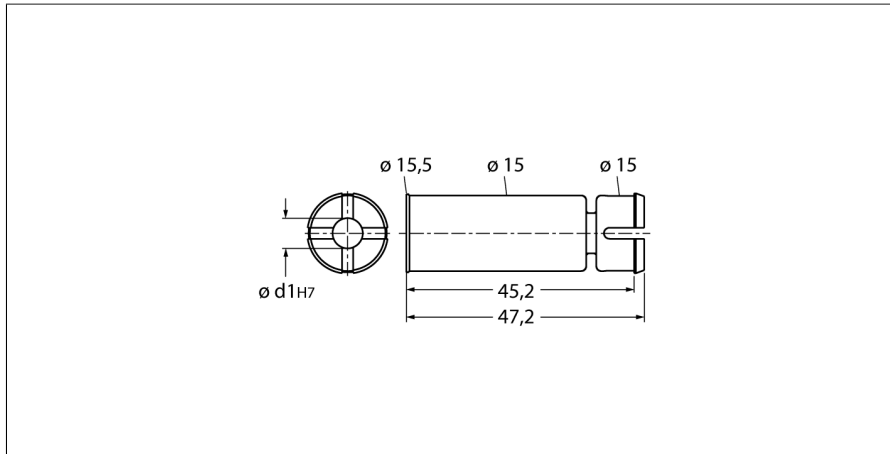


# Accessories

## Inlay

### For Hollow Shaft Encoders

#### RSA-5



- Inlay for hollow shaft encoders  $\varnothing 15$  mm
- Insulating the encoder thermally and electrically
- Reducing the diameter of the hollow shaft to  $\varnothing 12$  mm
- Material: plastic
- Temperature range  $-40\dots+115$  °C

Type	RSA-5
ID	1544669
Housing material	Plastic