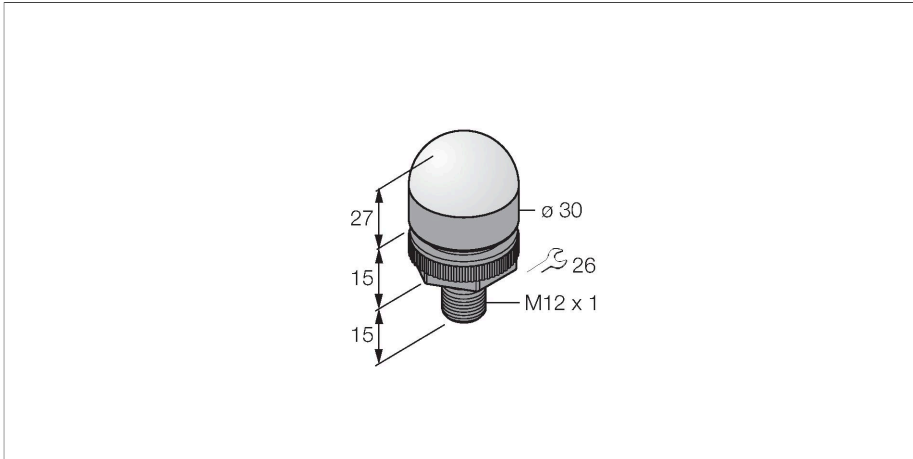


K30LBWVPQ

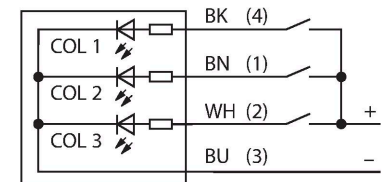
LED Indicator – Beacon



Features

- LED all-round visible
- Individually controllable
- Mechanical screw-in thread M22x1.5
- Protection class IP67
- Multicolor: Blue (COL 1) / White (COL 2) / Violet (COL 3)
- Male M12x1
- Operating voltage 10...30 VDC

Wiring diagram



Technical data

| | |
|------------------------------------|-------------------------|
| Type | K30LBWVPQ |
| ID | 3093804 |
| Signal and display data | |
| Purpose | LED indicator light |
| Function | Spotlight |
| Light type | Blue White Purple |
| Dimmable | No |
| Features of color 1 | Blue, Permanently on |
| Features of color 2 | White |
| Features of color 3 | Purple |
| Special features | Wash down |
| Electrical data | |
| Operating voltage | 10...30 VDC |
| DC rated operational current | ≤ 25 mA |
| Max. current consumption per color | 25 mA |
| Input type | PNP |
| Response time typical | < 1 ms |
| Mechanical data | |
| Cascadable | No |
| Design | Dome, K30L |
| Dimensions | Ø 30 x 57 mm |
| Housing material | Plastic, PC, Black |
| Window material | Polycarbonate, diffuse |
| Electrical connection | Connector, M12 × 1, PVC |
| Number of cores | 4 |

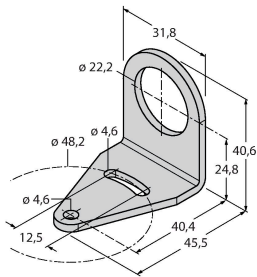
Technical data

| | |
|------------------------|---|
| Ambient temperature | -40...+50 °C |
| Relative humidity | 0...90 % |
| Protection class | IP67 IP69 |
| Tests/approvals | |
| MTTF | 626 years acc. to SN 29500 (Ed. 99) 40 °C |
| Approvals | CE |

Accessories

| | |
|--------|---------|
| SMB22A | 3079414 |
|--------|---------|

Mounting bracket, stainless steel, for K30L series



Accessories

| Dimension drawing | Type | ID | |
|-------------------|---------------|---------|---|
| | RKC4.4T-2/TEL | 6625013 | Connection cable, M12 female connector, straight, 4-pin, cable length: 2 m, jacket material: PVC, black; cULus approval |
| | WKC4.4T-2/TEL | 6625025 | Connection cable, M12 female connector, angled, 4-pin, cable length: 2 m, jacket material: PVC, black; cULus approval |