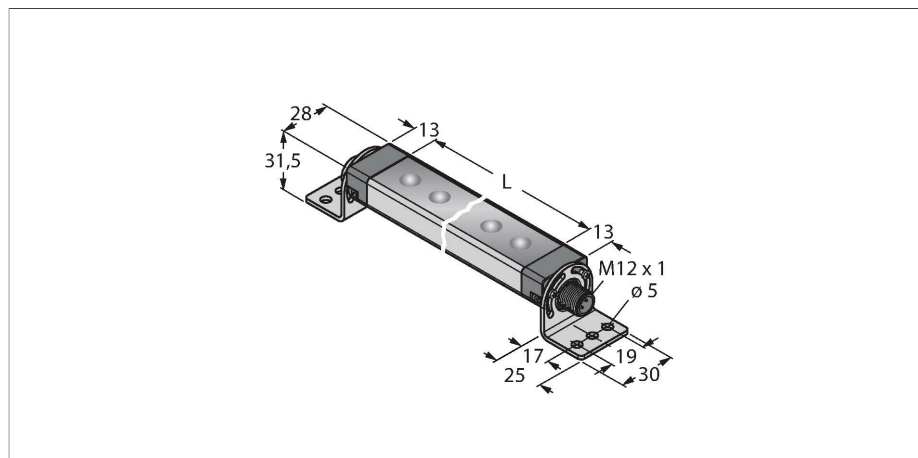


WLS28-2CW285XPWMQ

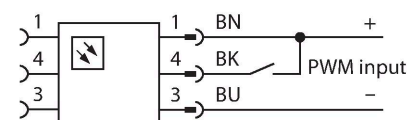
Work Light – Linear Light



Features

- Cascadable
- Light beam: 285mm
- Operating voltage: 12...30 VDC
- Protection class: IP50
- Color: White
- M12 x 1 male, straight, 4-pin
- Dimmable via PWM input
- SMBWLS28RA mounting bracket included in delivery

Wiring diagram

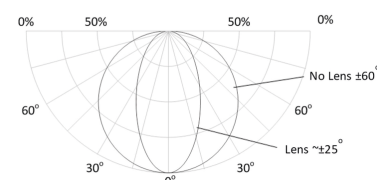


Technical data

| | |
|--------------------------------|-------------------------------|
| Type | WLS28-2CW285XPWMQ |
| ID | 3090478 |
| Signal and display data | |
| Purpose | LED work light |
| Function | Linear light |
| Light type | White |
| Color temperature | 6100...+7000 K |
| Luminous flux lumen | 650 lm |
| Aperture angle degree | 60 ° |
| Beam angle | wide beam 40-80° |
| LED service life (L70) | 50000 h |
| Dimmable | PWM |
| Features of color 1 | White, Permanently on, 800 lm |
| Electrical data | |
| Operating voltage | 12...30 VDC |
| DC rated operational current | ≤ 660 mA |
| Input power | 7.92 W |
| Mechanical data | |
| Cascadable | Yes |
| Design | Rectangular, WLS28-2 |
| Dimensions | 335 x 28 x 20.9 mm |
| Housing material | Metal, AL |
| Window material | Polycarbonate, clear |
| Electrical connection | Connector, M12 × 1, PVC |
| Number of cores | 4 |
| Ambient temperature | -40...+70 °C |
| Storage temperature | -40...+70 °C |

Functional principle

The energy-efficient LED work lights are ideally suited for industrial applications. The color temperature is between 6,000 and 7,100 Kelvin (cool white). Depending on the model, the luminous flux is 325 or 2600 lumen. Some work lights are switched on/off via supply power (10...30 VDC) and some types by means of a button directly at the LED lamp. In addition, the LED can be dimmed to 50% of its light output by activating a high signal on PIN 4, or for the variants with a switch by means of a further switch position. On some models the light output is continuously dimmable via a PWM signal on PIN 4. Cascadable variants are also available. Variants with a clear or diffuse plastic windows, as well as with an aperture angle of 25°.



Technical data

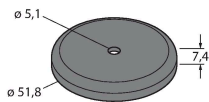
| | |
|-------------------|----------|
| Relative humidity | 0...90 % |
| Protection class | IP50 |
| Tests/approvals | |
| Approvals | CE, UL |

| Light Length | Typical Current | | | Max. Current |
|--------------|-----------------|--------|--------|--------------|
| | 12 VDC | 24 VDC | 30 VDC | A |
| 145 mm | 0.33 A | 0.15 A | 0.12 A | 0.4 |
| 285 mm | 0.66 A | 0.30 A | 0.24 A | 0.8 |
| 430 mm | 1.01 A | 0.46 A | 0.36 A | 1.2 |
| 570 mm | 1.36 A | 0.61 A | 0.48 A | 1.6 |
| 710 mm | 1.75 A | 0.77 A | 0.60 A | 2.0 |
| 850 mm | 2.13 A | 0.92 A | 0.73 A | 2.4 |
| 990 mm | 2.59 A | 1.08 A | 0.85 A | 2.8 |
| 1130 mm | 3.04 A | 1.24 A | 0.97 A | 3.2 |

Accessories

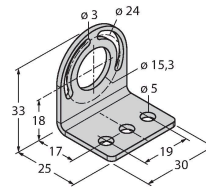
SMBWLSMAG 3019574

Magnetic fixture for mounting work lights and sensors, 2 pieces



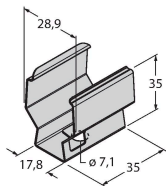
SMBWLS28RA 3015764

Mounting bracket, angled, metal, for WLS28 work lights, 5 mm drill holes, screw set included



SMBWLS28SP 3088063

Snap bracket for mounting WLS28 work lights



Accessories

Dimension drawing Type ID

RKC4.4T-2/TEL

6625013

Connection cable, M12 female connector, straight, 4-pin, cable length: 2 m, jacket material: PVC, black; cULus approval



WKC4.4T-2/TEL

6625025

Connection cable, M12 female connector, angled, 4-pin, cable length: 2 m, jacket material: PVC, black; cULus approval

