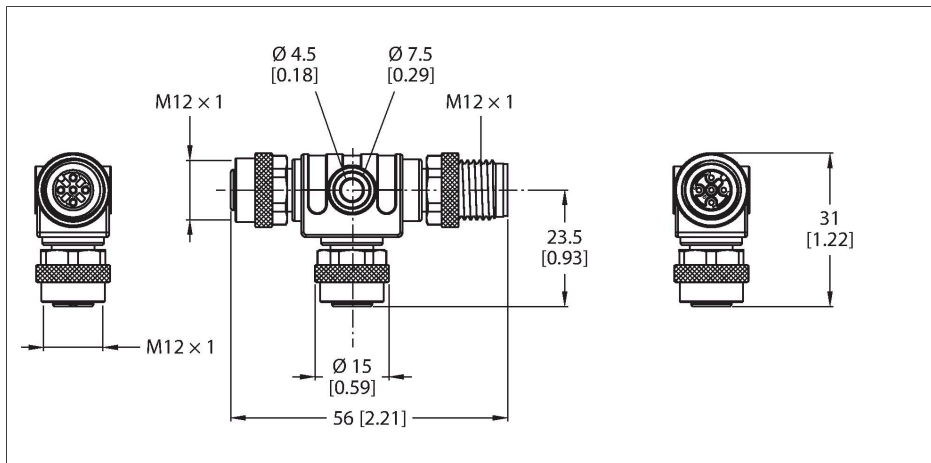


# FSM-2FKM57

## 2-Way Splitter – T-Splitter without Cable



### Technical data

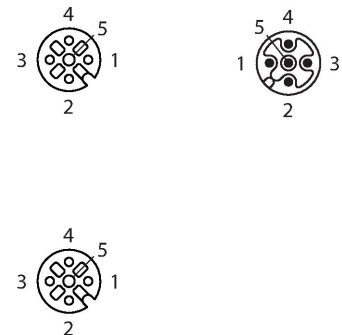
Type	FSM-2FKM57
ID	6622101
Distributed I/O	T-splitter
Housing	Plastic, TPU, Black
Connector A	Male, M12 × 1, A-coded
Number of Pins	5
Contacts	Brass, CuZn, Gold-plated
Contact carriers	Plastic, TPU, Black
Coupling nut/screw	Brass, CuZn, Nickel-plated
Mechanical lifespan	> 100 Mating cycles
Pollution degree	3
Protection class	IP65, IP67, IP68, Only in screwed condition
Connector B	2 x Female, M12 × 1, A-coded
Number of pins	4
Contacts	Metal, CuZn, Gold-plated
Contact carriers	Plastic, TPU, Black
Coupling nut/retaining screw	Brass, CuZn, Nickel-plated
Seal	Plastic
Mechanical life	> 100 Mating cycles
Pollution degree	3
Protection class	IP67
Network protocol	DeviceNet CANopen
<b>Electrical properties at +20 °C</b>	
Rated voltage	60 V
Current	4 A
Insulation resistance	≥ 10 <sup>8</sup> Ω

### Features

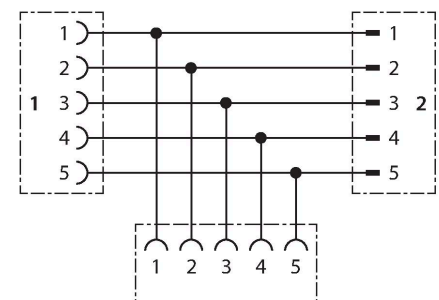


- Design: M12 adapter
- T-splitter, 5-pin
- For use in CAN (DeviceNet™, CANopen) applications

### Contact assignment



### Circuit Diagram



## Technical data

forward resistance	$\leq 5 \text{ m}\Omega$
Ambient temperature range (stationary)	-30...+90 °C