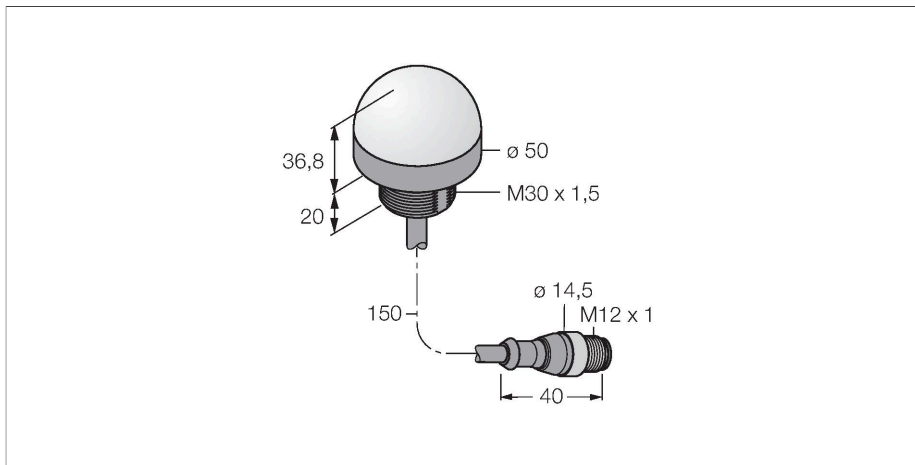


K50LIGRYPQP

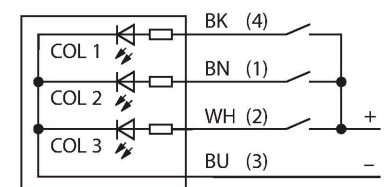
LED Indicator – Beacon



Features

- LED all-round visible
- ATEX category II 1 G, Ex-zone 0
- ATEX category II 1 D, Ex-zone 20
- Individually controllable
- Mechanical screw-in thread M30 x 1.5
- Protection classes IP67/IP69K
- Multicolor: Green (COL 1) / Red (COL 2) / Yellow (COL 3)
- Cable with male end M12 x 1
- It is envisaged to control always only one color with the appropriate equipment
- ATEX II 1 G approval
- Gases and vapors IIC group, Zone 0
- ATEX II 1 D approval
- Dusts IIIC group, Zone 20
- When used in hazardous areas, the special conditions of the approval must be observed

Wiring diagram



Technical data

Type	K50LIGRYPQP
ID	3028667
Signal and display data	
Purpose	LED indicator light
Function	Spotlight
Light type	Green Red Yellow
LED service life (L70)	50000 h
Dimmable	No
Features of color 1	Green, Permanently on
Features of color 2	Red
Features of color 3	Yellow
Special features	Wash down
Electrical data	
Operating voltage	18...30 VDC
DC rated operational current	≤ 40 mA
Input type	PNP
Response time typical	< 1 ms
Mechanical data	
Cascadable	No
Design	Dome, K50L
Dimensions	Ø 50 x 58 mm
Housing material	Plastic, PC, Black
Window material	Polycarbonate, diffuse
Electrical connection	Cable with connector, M12 x 1, 0.15 m, PVC

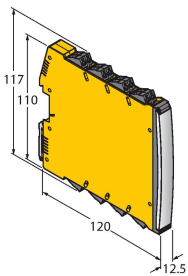
Technical data

Number of cores	4
Ambient temperature	-40...+40 °C
Relative humidity	0...90 %
Protection class	IP67 IP69
Tests/approvals	
MTTF	249 years acc. to SN 29500 (Ed. 99) 40 °C
Approvals	CE, IECEx
Approvals	ATEX II 1 GD

Accessories

IMX12-DO01-1U-1U-0/24VDC

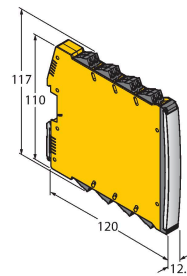
7580101



Solenoid driver; 1-channel; SIL 2 acc. to IEC 61508; Ex-proof version; monitoring of wire-break and short-circuit; removable screw terminals; 12.5 mm wide; 24 VDC power supply

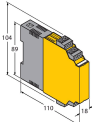
IMX12-DO01-2U-2U-0/24VDC

7580105



Solenoid driver; 2-channel; SIL 2 acc. to IEC 61508; Ex-proof version; monitoring of wire-break and short-circuit; removable screw terminals; 12.5 mm wide; 24 VDC power supply

Accessories

Dimension drawing	Type	ID	
	IM72-11EX/L	7520703	Screw terminals