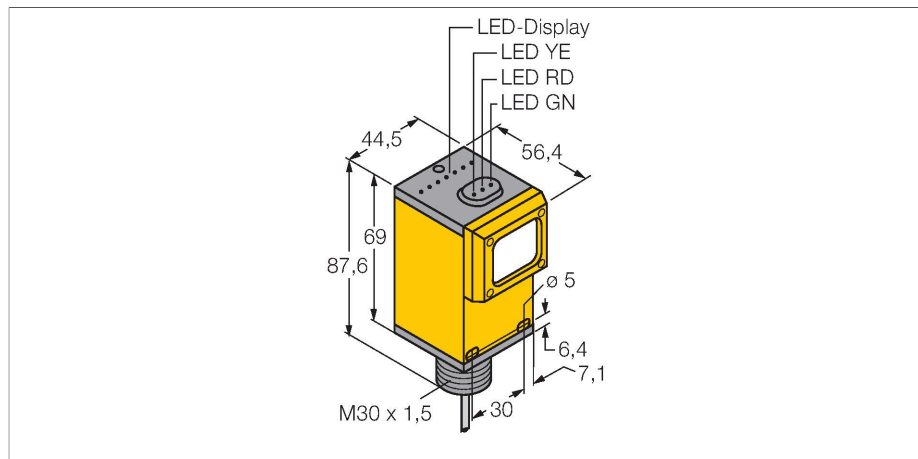


Q45AD9LP

Photoelectric Sensor – Retroreflective Sensor with Polarizing Filter



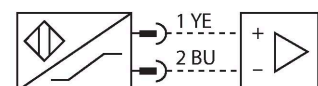
Technical data

| | |
|----------------------------------|---------------------------------|
| Type | Q45AD9LP |
| ID no. | 3037619 |
| Optical data | |
| Function | Retroreflective Sensor |
| Operating mode | Polarized |
| Reflector included in delivery | yes |
| Light type | Red polarized |
| Wavelength | 680 nm |
| Range | 150...6000 mm |
| Electrical data | |
| Operating voltage | 5...15 VDC |
| Voltage | Nom. 8.2 VDC |
| Current consumption non-actuated | ≤ 1 mA |
| Actuated current consumption | ≥ 2.1 mA |
| No-load current | ≤ 2.1 mA |
| Output function | Light operation, NAMUR |
| Switching frequency | ≤ 100 Hz |
| Readiness delay | ≤ 0 ms |
| Response time typical | < 5 ms |
| Setting option | Potentiometer |
| Mechanical data | |
| Design | Rectangular, Q45 |
| Dimensions | Ø 30 x 54.1 x 44.5 x 87.6 mm |
| Housing material | Plastic, Thermoplastic material |
| Lens | plastic, Acrylic |
| Electrical connection | Cable, 2 m, PVC |

Features

- Cable, PVC, 2 m
- Protection class IP67
- Sensitivity adjusted via potentiometer
- Operating voltage: 5...15 VDC
- NAMUR output: dark ≤ 1.2 mA ; light ≥ 2.1 mA
- Acc. to EN 60947-5-6 (NAMUR)
- ATEX category II 1 G, Ex zone 0

Wiring diagram

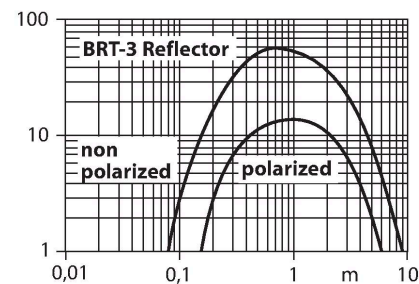


Functional principle

Retro-reflective sensors incorporate emitter and receiver in a single compact housing. The light beam of the emitter is directed towards a reflector which returns the light back to the receiver. An object is detected when it interrupts this beam. Retro-reflective sensors incorporate some of the advantages of opposed mode sensors (good contrast and high excess gain). Further it is merely required to install and wire a single device. A smaller sensing range and susceptibility of devices without polarisation filter can be of disadvantage when shiny objects have to be detected. Excess gain curve Excess gain in relation to the distance

Technical data

| | |
|--|--|
| Number of cores | 2 |
| Core cross-section | 0.5 mm ² |
| Ambient temperature | -40...+70 °C |
| Protection class | IP67 |
| Switching state | LED, Red |
| Excess gain indication | LED, flashing |
| Tests/approvals | |
| MTTF | 67 years acc. to SN 29500 (Ed. 99) 40 °C |
| Approvals | CE, FM, CSA |
| Approvals | ATEX II 1G ATEX II 2G ATEX II 3G |
| Device marking | ⊕ II 1 G Ex ia IIC T5 Ga |
| Ignition protection category | Ex ia IIC T5 Ga |
| Ex approval acc. to conformity certificate | FM12ATEX0094X |



Accessories

SMB30A 3032723

Mounting bracket, rectangular, stainless steel, for sensors with 30mm thread

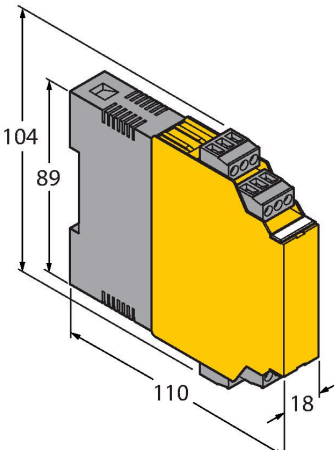
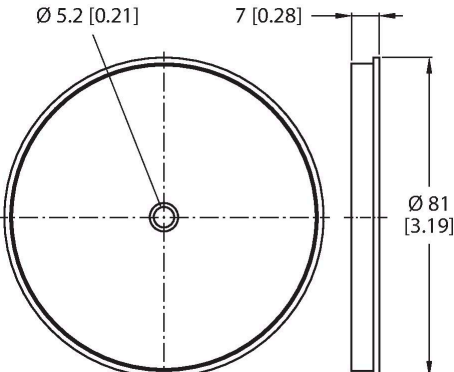
SMB30FAM10 3011185

Mounting bracket, stainless steel, for M10 x 1.5 thread, thread length 30 mm

SMB30SC 3052521

Mounting bracket, PBT black, for sensors with 30 mm thread, rotatable

Accessories

| Dimension drawing | Type | ID no. | |
|--|------------|---------|---|
|  | IM1-22EX-R | 7541231 | Isolating switching amplifier, 2-channel; 2 relay outputs; input NAMUR signal; selectable ON/OFF mode for wire-break and short-circuit monitoring; adjustable output mode (NO / NC mode); removable terminal blocks; width 18 mm; universal power supply unit |
|  | BRT-3 | 3016164 | Round reflector, reflection coefficient 1.0, material acrylic, ambient temperature -20...+60 °C |

Operating Instructions

| | |
|--|--|
| Intended use | This device fulfills the directive 94/9/EC and is suited for use in explosion hazardous areas according to EN60079-0:2009, -11:2012, -26:2007. In order to ensure correct operation to the intended purpose it is required to observe the national regulations and directives. |
| For use in explosion hazardous areas conform to classification | II 1 G (Group II, Category 1 G, electrical equipment for gaseous atmospheres). |
| Marking (see device or technical data sheet) | ⊕ II 1 G and Ex ia IIC T5 Ga acc. to EN60079-0, -11 and -26 |
| Local admissible ambient temperature | -25...+70 °C |
| Installation/Commissioning | <p>These devices may only be installed, connected and operated by trained and qualified staff. Qualified staff must have knowledge of protection classes, directives and regulations concerning electrical equipment designed for use in explosion hazardous areas. Please verify that the classification and the marking on the device comply with the actual application conditions.</p> <p>This device is only suited for connection to approved Exi circuits according to EN 60079-0 and EN 60079-11. Please observe the maximum admissible electrical values. After connection to other circuits the sensor may no longer be used in Exi installations. When interconnected to (associated) electrical equipment, it is required to perform the "Proof of intrinsic safety" (EN60079-14).</p> |
| Installation and mounting instructions | Avoid static charging of cables and plastic devices. Please only clean the device with a damp cloth. Do not install the device in a dust flow and avoid build-up of dust deposits on the device. If the devices and the cable could be subject to mechanical damage, they must be protected accordingly. They must also be shielded against strong electro-magnetic fields. The pin configuration and the electrical specifications can be taken from the device marking or the technical data sheet. In order to avoid contamination of the device, please remove possible blanking plugs of the cable glands or connectors only shortly before inserting the cable or opening the cable socket. |
| Service/Maintenance | Repairs are not possible. The approval expires if the device is repaired or modified by a person other than the manufacturer. The most important data from the approval are listed. |