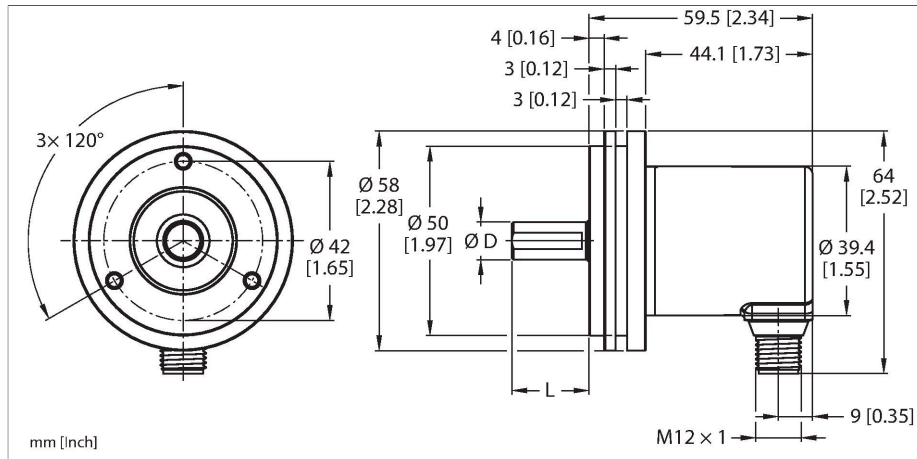


# REM-E-121T10S-9F32B-H1151

## Absolute Rotary Encoder - Multiturn

### Efficiency Line



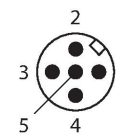
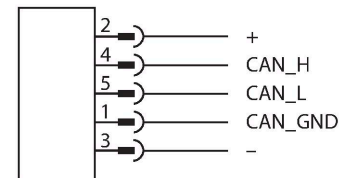
### Features

- Synchro flange, Ø 58 mm
- Solid shaft, Ø 10 mm × 20 mm
- Magnetic measuring principle
- Shaft material: stainless steel
- Protection class IP64 on housing and shaft side
- -20...+70 °C
- Max. 4000 rpm (continuous operation 2000 rpm)
- Energy harvesting technology
- 10...30 VDC
- SAE J1939
- M12 × 1 male connector, 5-pin
- Singleturn resolution 14 bit scalable, default 14 bit
- Multiturn resolution scalable up to 29 bit over total resolution, default 18 bit
- Total resolution 32 bit scalable, default: 32 bit

### Technical data

Type	REM-E-121T10S-9F32B-H1151
ID	100023366
Measuring principle	Magnetic
<b>General data</b>	
Max. Rotational Speed	4000 rpm
Repetition accuracy	± 0.2 ° At 25 °C
Absolute accuracy	± 1 ° At 25 °C
Output type	Absolute multiturn
<b>Electrical data</b>	
Operating voltage	10...30 VDC
No-load current	80 mA
Short-circuit protection	yes
Wire breakage/Reverse polarity protection	yes
Communication protocol	SAE J1939
Interface	SAE J1939
<b>Mechanical data</b>	
Design	Solid shaft
Flange type	Synchro flange
Flange diameter	Ø 58 mm
Shaft Type	Solid shaft
Shaft diameter D [mm]	10
Shaft Length L [mm]	20
Shaft material	Stainless steel
Housing material	Die-cast zinc
Electrical connection	Connector, M12 × 1

### Wiring diagram



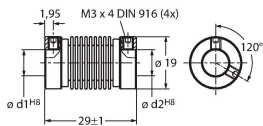
Technical data

	M12, 5-pin
Axial shaft load	40 N
Radial shaft load	80 N
<b>Environmental conditions</b>	
Ambient temperature	-20...+70 °C
Vibration resistance (EN 60068-2-6)	30 g (300 m/s <sup>2</sup> ), 10...2000 Hz
Shock resistance (EN 60068-2-27)	500 g (2500 m/s <sup>2</sup> ), 4 ms
Protection class	IP64
Protection class shaft	IP64

Accessories

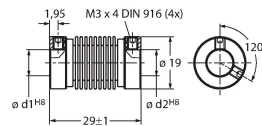
**RCS-19-10-06** 1545358

Bellows coupling, outer diameter:  
19 mm, bore diameter: 10 mm/6 mm



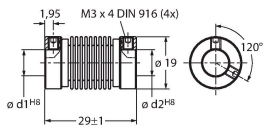
**RCS-19-10-08** 1545357

Bellows coupling, outer diameter:  
19 mm, bore diameter: 10 mm/8 mm



**RCS-19-10-10** 1545356

Bellows coupling, outer diameter:  
19 mm, bore diameter: 10 mm/10 mm



Accessories

Dimension drawing	Type	ID	
	RKC5701-5M	6931034	Bus cable for CAN (DeviceNet, -CANopen), M12 female connector, straight, cable length: 5 m, jacket material: PUR, anthracite; cULus approval

