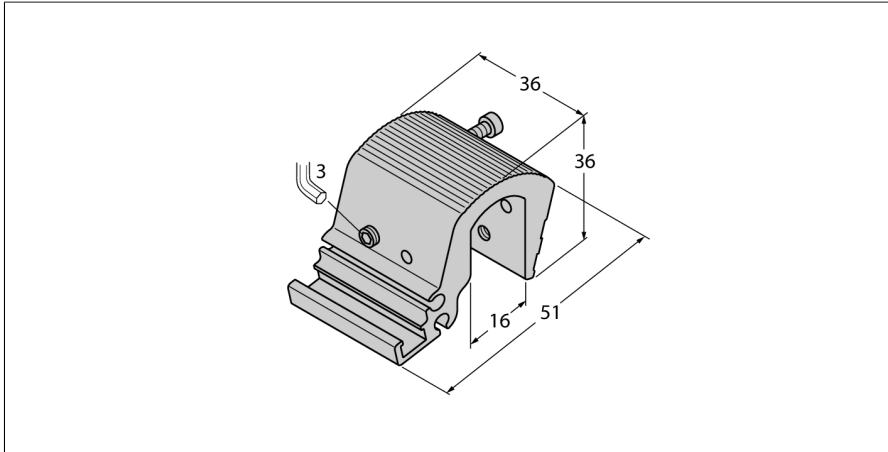


Accessories

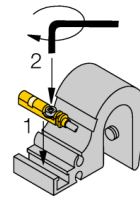
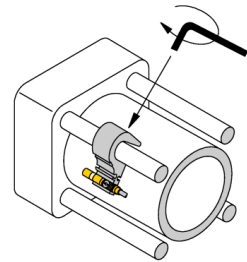
Mounting Bracket

For Tie-rod Cylinders

KLZ51-INT



- Mounting on tie-rod cylinders
- Cylinder diameter: 160...200 mm
- Tie rod diameter: up to 16 mm
- Metal: Aluminum



Type	KLZ51-INT
ID	6970417
Design	Accessories, INT
Dimensions	36 x 51 x 36 mm
Housing material	Metal, AL
Fixing clamp for correspondent cylinder diameter	160...200 mm