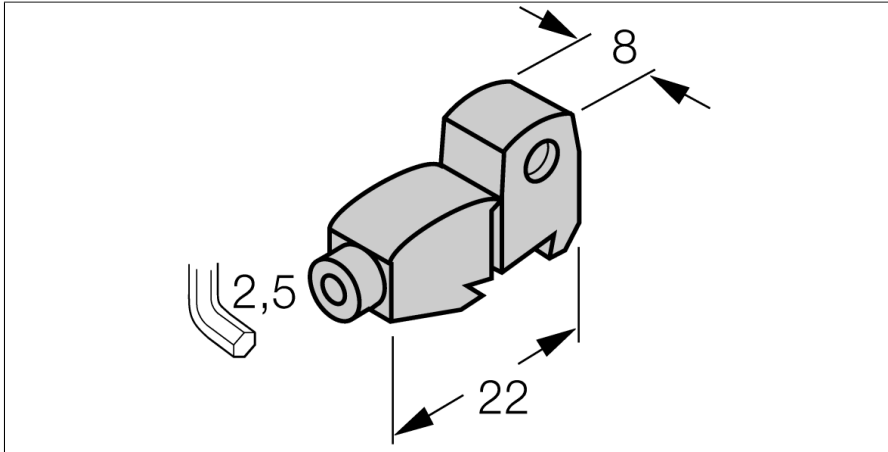


Accessories

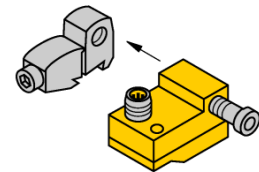
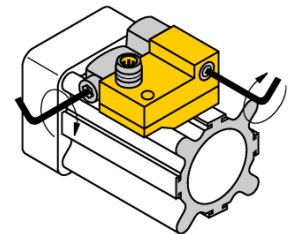
Mounting Bracket

For Profile Cylinders with External Dovetail Groove

KLF1



- Mounting on profile cylinders with external dovetail guide
- For various cylinder diameters
- Metal: Anodized aluminum



Type	KLF1
ID	6970401
Design	Accessories, NST
Dimensions	22 x 8 mm
Housing material	Metal, AL, Anodized
Fixing clamp for correspondent cylinder diameter	alle
clamping width:	10... 16mm