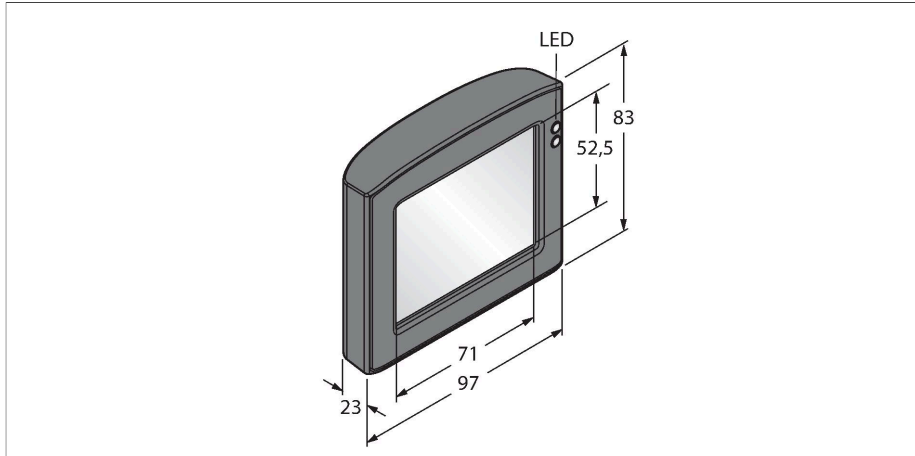


RD35

Vision Systems – Touch Display



Features

- 3.5" screen diagonal
- Format: 4:3
- Resolution: 320 x 240 RGB
- Connection to iVU via Molex connector

Functional principle

For applications in which vision sensors are hardly accessible to make adjustments, the remote display RD35 is the right solution. All adjustments can be made via a separate connection cable. The display is then simply removed from the docking station and can be used for communication with other remote iVu sensors; it can also be used for continuous control of hidden processes.

Technical data

Type	RD35
ID	3082646
Power on display	LED, Green
Switching state	LED, Green
Error indication	LED, red
Dimensions	23 x 97 x 83 mm
Housing material	Plastic, PC, Black
Ambient temperature	0...+50 °C
Protection class	IP20

Accessories

Dimension drawing	Type	ID	
	IVURD-MXK-803	3012434	Connection set, extension cable for RD35 remote display, male connector, M12 × 1 to Molex, 8-pin, cable length: 0.91 m, SMBRD35 mounting bracket and Stylus-1 input pen