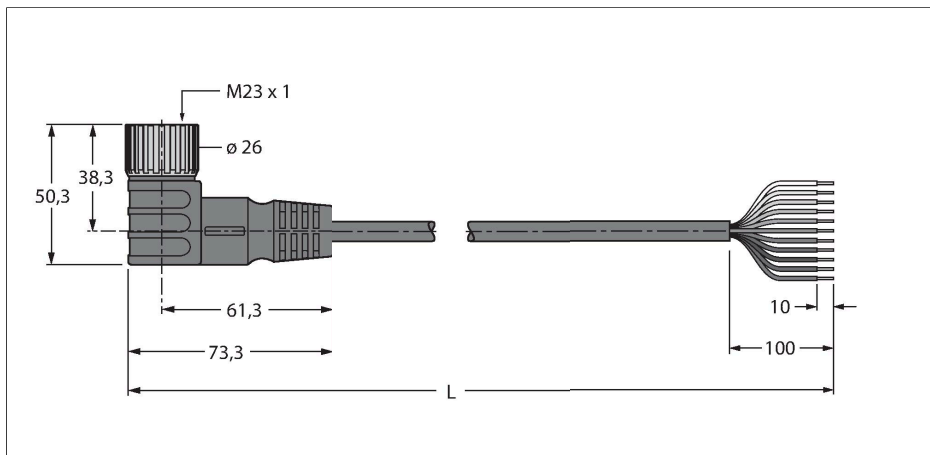


CKWM19-11-5/TXL

Supply Cable for Multiple Passive Junction Box, TPU – Connection Cable

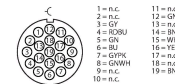


Features



- M23 female connector, angled, 19-pin (11 assigned)
- Jacket material: TPU
- Jacket color: black
- Flame retardant acc. to FT1
- Free from halogen, silicone and PVC
- Particularly resistant to abrasion
- RoHS compliant
- Protection class IP67
- Cable length: 5.0 m

Contact assignment



Functional principle

Nominal current 9 A (pins 6, 12, 19)
Nominal current 2 A (other pins)

Technical data

Type	CKWM19-11-5/TXL
ID	6631134
Connector A	Female, M23 × 1, Angled
Number of Pins	19
Contacts	Brass, CuZn, Gold-plated
Contact carriers	Plastic, TPU, Gray
Connector body	Plastic, TPU, Black
Coupling nut/screw	Brass, CuZn, Nickel-plated
Seal	Plastic, FPM/FKM
Mechanical lifespan	> 100 Mating cycles
Pollution degree	3
Protection class	IP67, Only in screwed condition
Cable	
Cable diameter	Ø 7.6 mm ±0.30
Cable length	5 m
Cable jacket	TPU, Black
Core insulation	PP
Core cross-section	8 x 0.32 mm ²
Arrangement of strands	19 x 0.23 mm
Core cross-section	3x 0.82 mm ²
Litz wire arrangement	19 x0.15 mm
Core colors	GY, RDBU, GN, BU, GYPK, WHGN, GNYE, BNGN, WH, YE, BN
Electrical properties at +20 °C	
Rated voltage	150 V
Current	2 A

Technical data

Mechanical and chemical properties

Bending radius (stationary installation)	$\geq 5 \times \varnothing$
Bending radius (flexible use)	$\geq 10 \times \varnothing$
Ambient temperature range (stationary)	-40...+80 °C